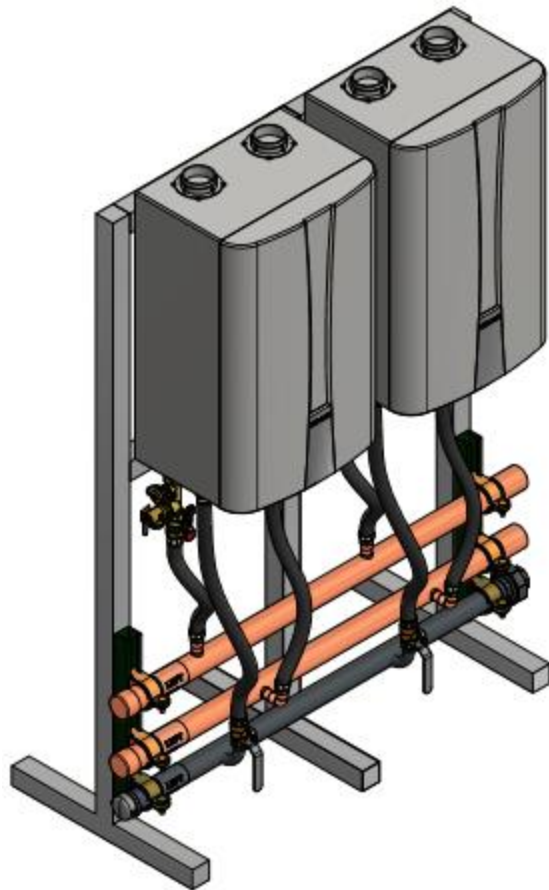
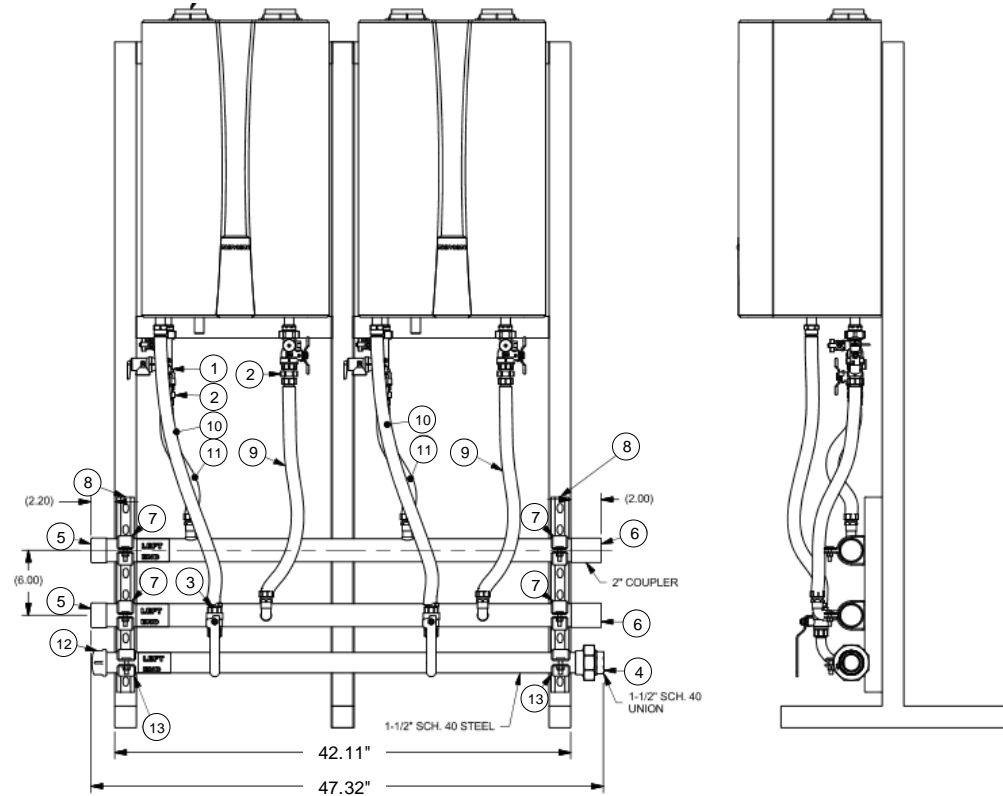


This drawing is intended only as a guide and not as a replacement for professionally engineered project drawings. This concept system drawing does not imply compliance with local building codes. Actual installation may vary depending on installation location & parameters and it must be done in accordance to all local building codes. Verify with local building officials before commencement of system installation.

Note: Navien Ready-Link Side-by-Side Manifolds may be used without Racks for Wall Mount Applications



SHIPPED LOOSE PARTS KIT					
ITEM	QTY	DESCRIPTION	ITEM	QTY	DESCRIPTION
1	2	3/4" WATTS 150# PRV	8	2	1-5/8" X 1-5/8" X 18" 14GA STRUT
2	2	3/4" WATTS TANKLESS SERVICE VALVE KIT w/ BV's	9	2	3/4" x 24" SS CORRUGATED FLEX TUBE
3	2	3/4" BALL VALVE- NPT	10	2	3/4" X 30" PVC COATED SS GAS CONNECTOR
4	1	1-1/2" FPT IRON UNION	11	2	3/4" x 18" SS CORRUGATED FLEX TUBE
5	2	2" CXC CAP	12	1	1-1/2" FPT GALV IRON CAP
6	2	2" CXC CPLG	13	2	1-7/8" OD CUSHIONED CLAMP
7	4	2-1/8" STRUT CLAMP	14	1	HARDWARE BOLT KIT



**KD NAVIEN**

20 Goodyear  
Irvine, CA 92618  
800-519-8794  
www.navieninc.com

NPE Series Tankless Water Heater

Navien Ready-Link Manifold  
2-Unit Side-by-Side Manifold Kit - #30019040A  
Page 1

Drawn By: B. Fenske

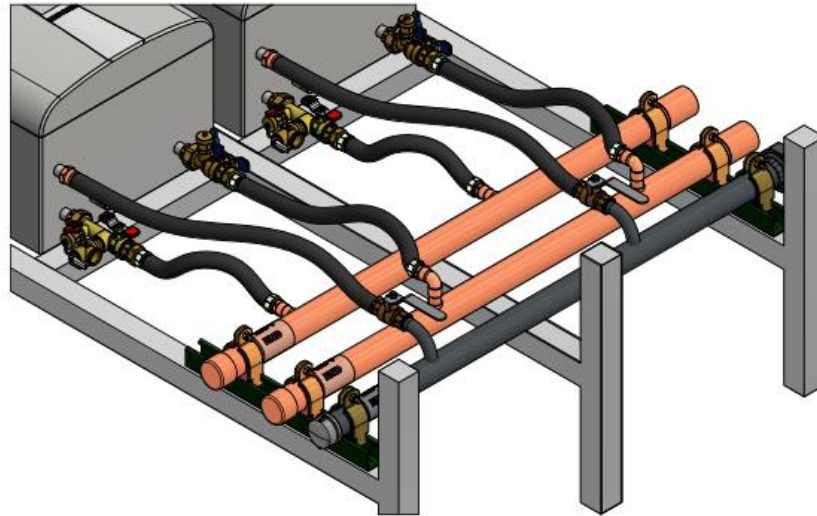
NPE-RDYLKMN-2SS-BF01

February 1, 2018

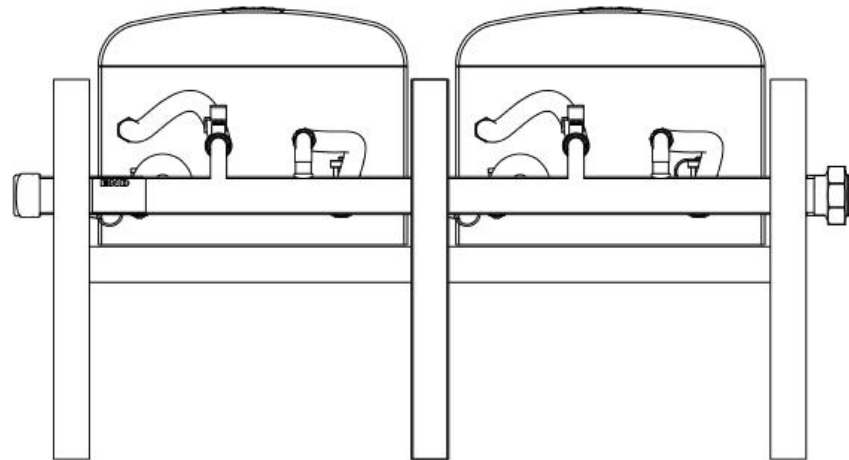
**Ready-Link<sup>®</sup>**

Tankless Manifold  
&  
Rack Systems

This drawing is intended only as a guide and not as a replacement for professionally engineered project drawings. This concept system drawing does not imply compliance with local building codes. Actual installation may vary depending on installation location & parameters and it must be done in accordance to all local building codes. Verify with local building officials before commencement of system installation.



Bottom View



**KD Navien**

20 Goodyear  
Irvine, CA 92618  
800-519-8794  
www.navieninc.com

NPE Series Tankless Water Heater

Navien Ready-Link Manifold  
2-Unit Side-by-Side Manifold Kit - #30019040A  
Page 2

Drawn By: B. Fenske

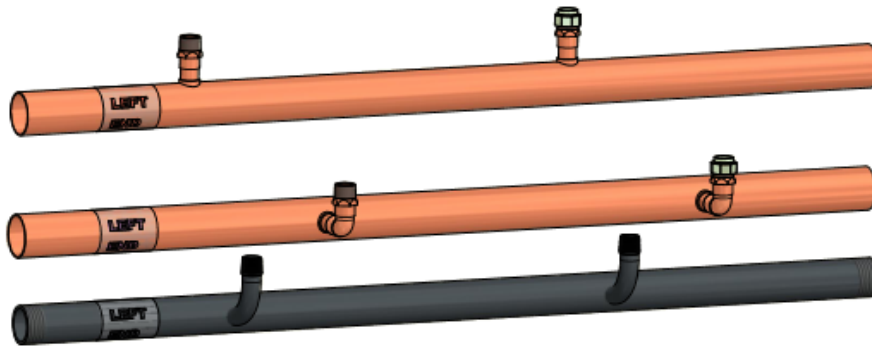
NPE-RDYLKMN-2SS-BF01

February 1, 2018

**Ready-Link**<sup>®</sup>

Tankless Manifold  
&  
Rack Systems

This drawing is intended only as a guide and not as a replacement for professionally engineered project drawings. This concept system drawing does not imply compliance with local building codes. Actual installation may vary depending on installation location & parameters and it must be done in accordance to all local building codes. Verify with local building officials before commencement of system installation.



**Manifold Piping**  
 2" CTS Water Pipe  
 1-1/2" FPT Gas

One Additional Manifold Kit may be added for additional tankless units

\* Total tankless count on one distribution manifold is up to 8 units.

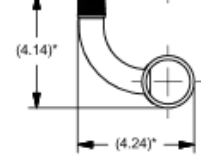
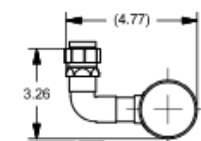
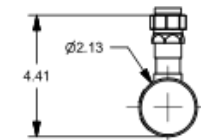
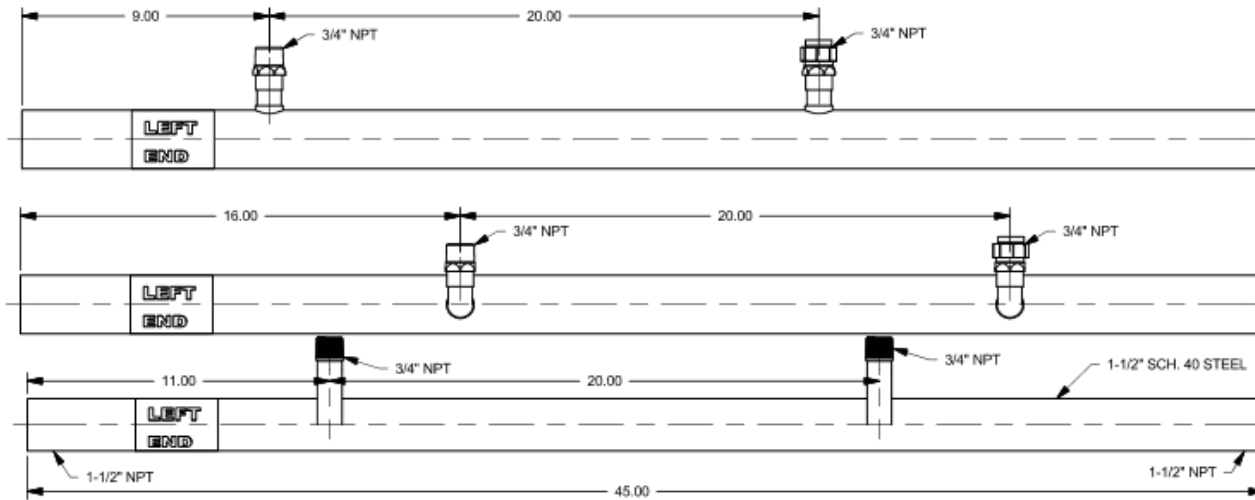
Use one below:

#30019040A – 2 additional tankless (4 total)

#30019041A – 3 additional tankless (5 total)

#30019043A – 4 additional tankless (6 total)

(Unused connection ports will require service caps)



\*REFERENCED DIMENSIONS MAY CHANGE BASED ON MANUFACTURER CAPABILITIES



20 Goodyear  
 Irvine, CA 92618  
 800-519-8794  
 www.navieninc.com

**NPE Series Tankless Water Heater**

Navien Ready-Link Manifold  
 2-Unit Side-by-Side Manifold Kit - #30019040A  
 Page 3

Drawn By: B. Fenske

NPE-RDYLKMN-2SS-BF01

February 1, 2018



Tankless Manifold  
 &  
 Rack Systems