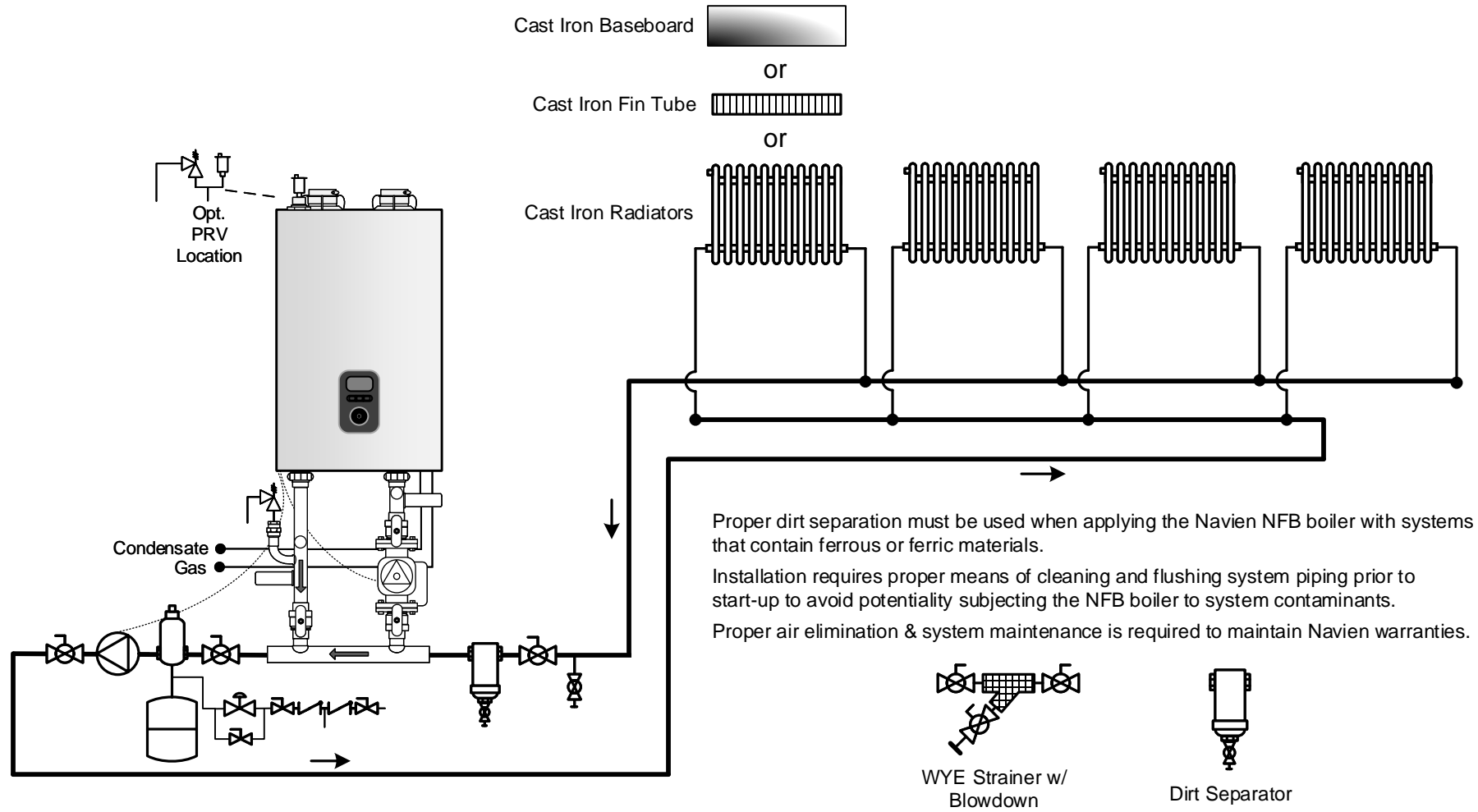


This drawing is intended only as a guide and not as a replacement for professionally engineered project drawings. This concept system drawing does not imply compliance with local building codes. Actual installation may vary depending on installation location & parameters and it must be done in accordance to all local building codes. Verify with local building officials before commencement of system installation.



**KD Navien**

20 Goodyear  
Irvine, CA 92618  
800-519-8794  
www.navieninc.com

NFB Series Boiler

Navien NFB Boiler Application  
Two-Pipe Reverse Return  
Navien NFB Series Primary Manifold

Drawn By: BF

NFB-CI-2P-PM-RR-BF01

August 1, 2018

