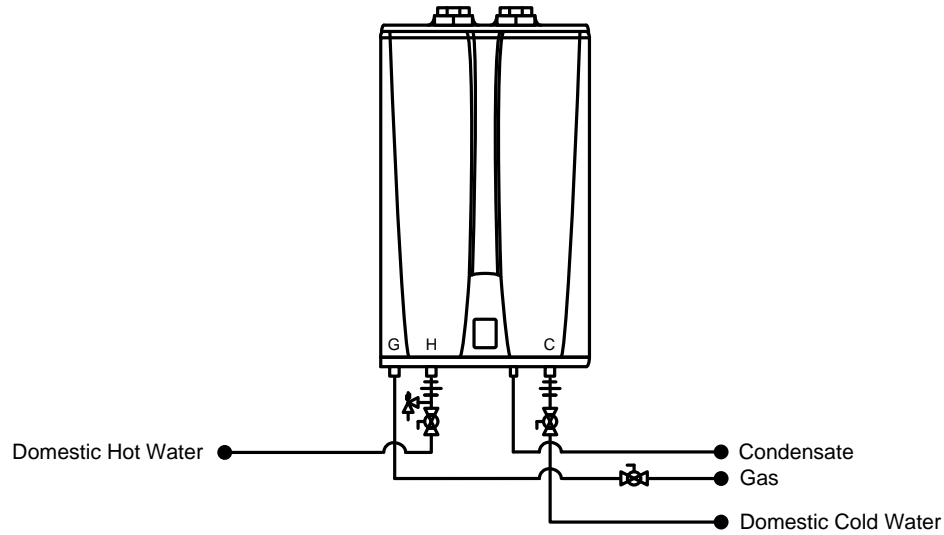


This drawing is intended only as a guide and not as a replacement for professionally engineered project drawings. This concept system drawing does not imply compliance with local building codes. Actual installation may vary depending on installation location & parameters and it must be done in accordance to all local building codes. Verify with local building officials before commencement of system installation.



KD Navien

20 Goodyear
Irvine, CA 92618
800-519-8794

www.navienamerica.com

NPE-S Series Tankless Water Heater

**One NPE-S Tankless
(Includes NPE-A, Internal Circulation Mode)**

Drawn By: B. Fenske

NPE-S-1-BF02

August 1, 2013

