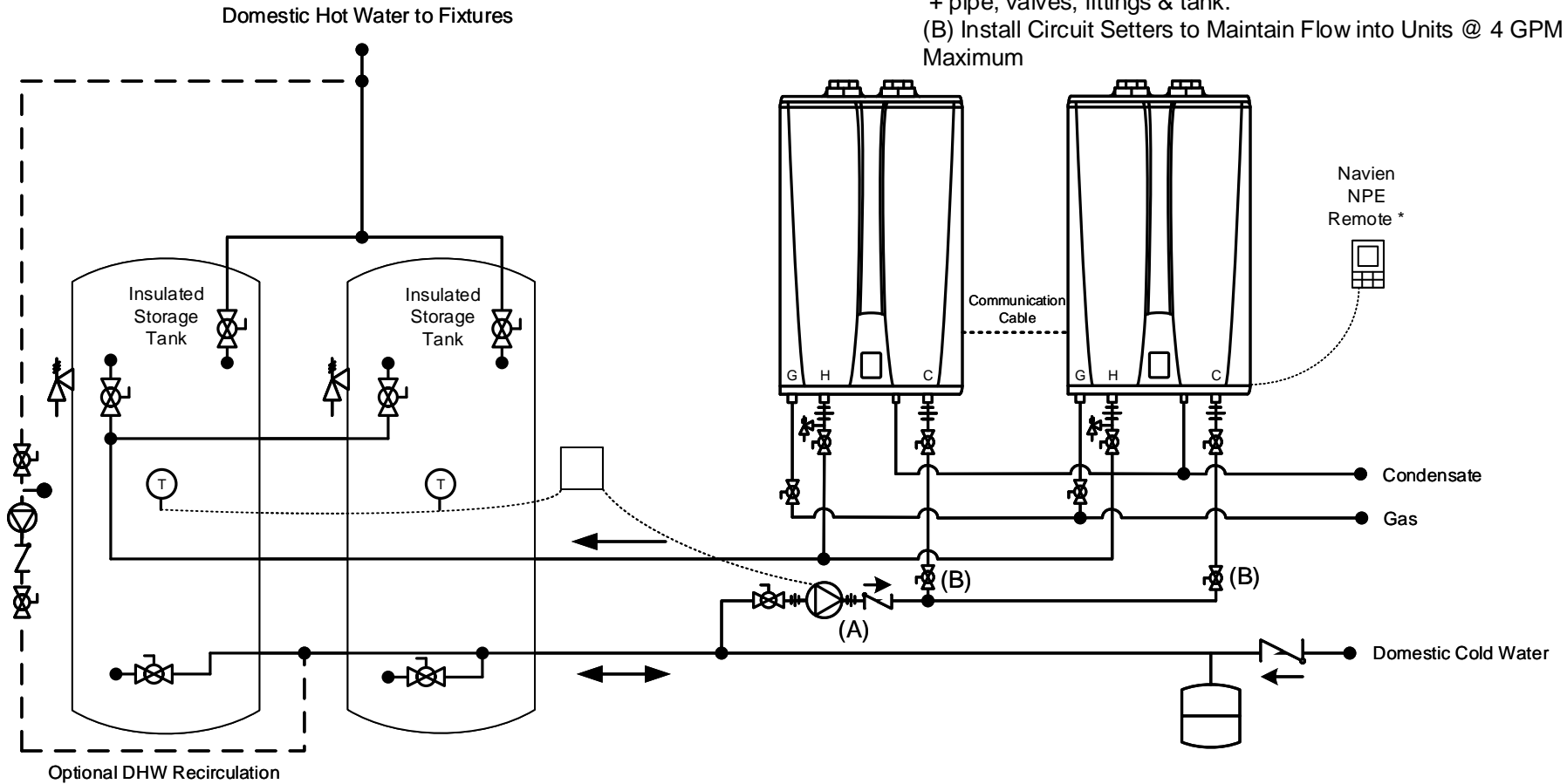


This drawing is intended only as a guide and not as a replacement for professionally engineered project drawings. This concept system drawing does not imply compliance with local building codes. Actual installation may vary depending on installation location & parameters and it must be done in accordance to all local building codes. Verify with local building officials before commencement of system installation.

* Navien Remote required to set Cascade Unit Count Storage Tank with External Circulator Applications

- (A) Tankless Circulator
(Bronze or S.S) Selected Shall be 8 GPM Max (4 Per Tankless)
@ 23' Total Head (10 PSI)
+ pipe, valves, fittings & tank.
- (B) Install Circuit Setters to Maintain Flow into Units @ 4 GPM Maximum



Recommended Pipe Size/Heater Count	1 Unit - ¾"	2 Units - 1"	3 Units - 1-¼"	4 to 5 Units - 1-½"	6 to 8 Units - 2"	9 to 14 Units - 2-½"	15 to 16 Units - 3"
 20 Goodyear Irvine, CA 92618 800-519-8794 www.navienamerica.com	NPE-S Series Tankless Water Heater				Storage Vessel		
	Two NPE-S with Two Storage Tanks to meet Flow/Temp Rise Requirements				Check Valve		
	Drawn By: B. Fenske	NPE-S-2-2ST-BF03	April 1, 2017	Pressure Relief Valve			
			Circulator			Expansion Tank	
			DHW Circulator w/Aquastat & Check Valve			Aquastat	
			Mixing Valve			Full-port Ball Valve	