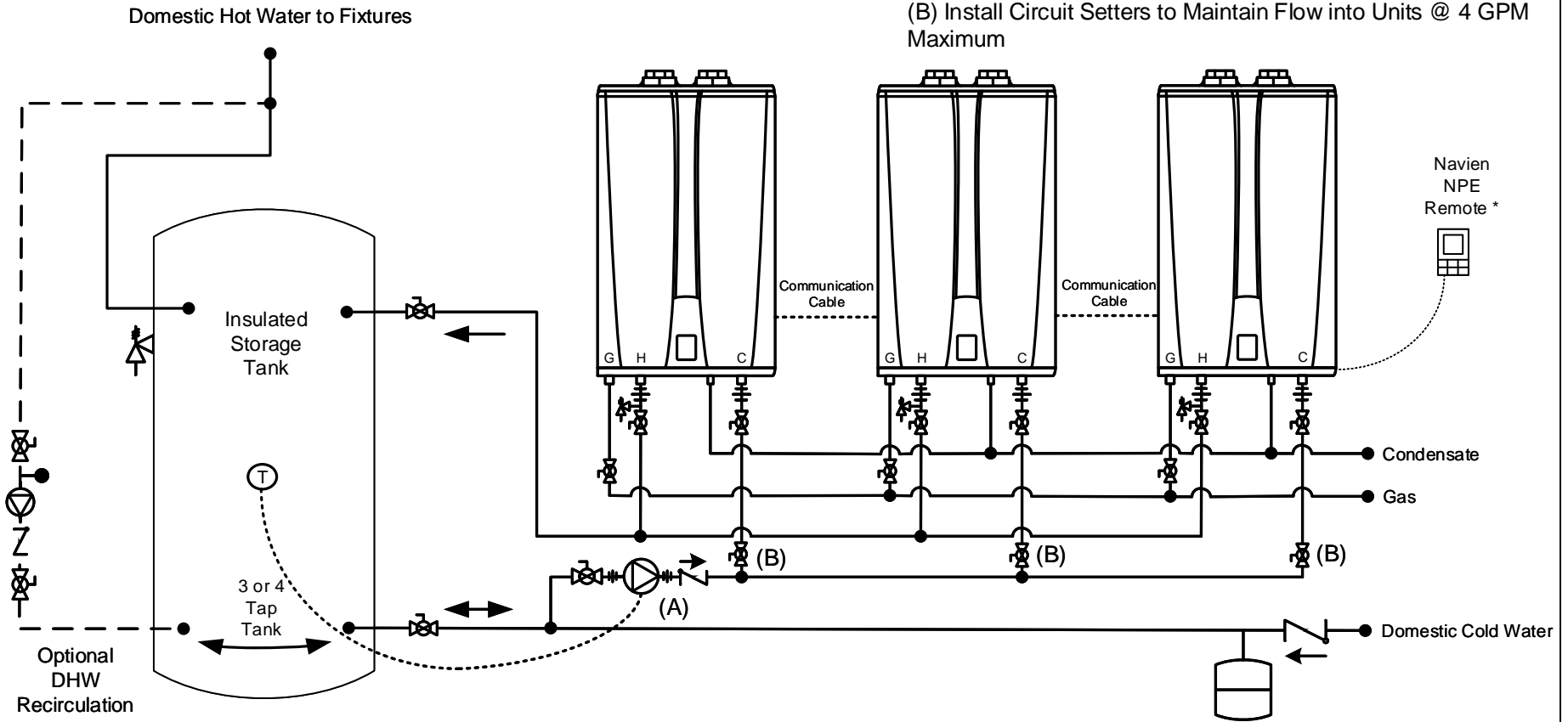


This drawing is intended only as a guide and not as a replacement for professionally engineered project drawings. This concept system drawing does not imply compliance with local building codes. Actual installation may vary depending on installation location & parameters and it must be done in accordance to all local building codes. Verify with local building officials before commencement of system installation.

\* Navien Remote required to set Cascade Unit Count Storage Tank with External Circulator Applications

- (A) Tankless Circulator  
(Bronze or S.S) Selected Shall be 8 GPM Max (4 Per Tankless)  
@ 23' Total Head (10 PSI)  
+ pipe, valves, fittings & tank.
- (B) Install Circuit Setters to Maintain Flow into Units @ 4 GPM Maximum



Recommended Pipe Size/Heater Count	1 Unit - ¾"	2 Units - 1"	3 Units - 1-¼"	4 to 5 Units - 1-½"	6 to 8 Units - 2"	9 to 14 Units - 2-½"	15 to 16 Units - 3"	
 20 Goodyear Irvine, CA 92618 800-519-8794 www.navienamerica.com	<b>NPE-S Series Tankless Water Heater</b>  Three NPE-S with Storage to meet Flow/Temp Rise Requirements				Storage Vessel DHW Circulator w/Aquastat & Check Valve			
	Drawn By: B. Fenske				NPE-S-3-ST-BF03		April 1, 2017	
	Check Valve Pressure Relief Valve Mixing Valve Full-port Ball Valve			Circulator Expansion Tank Aquastat				