

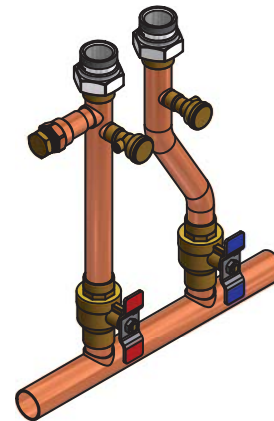
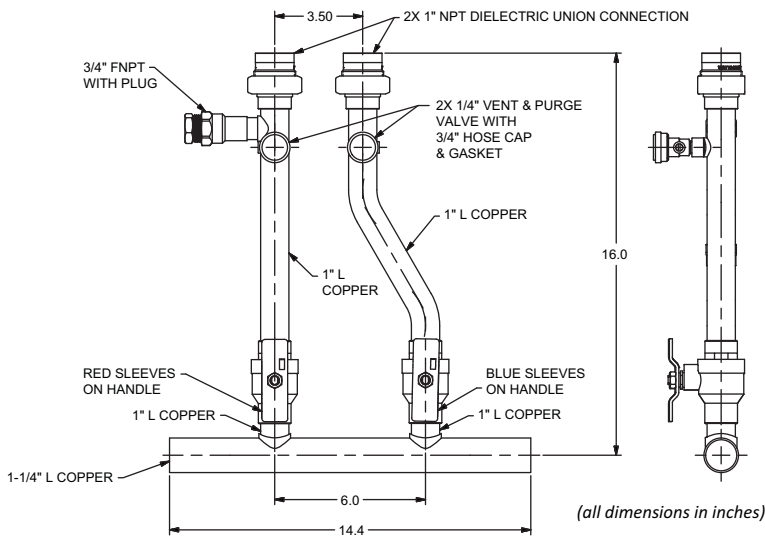
INTRODUCTION

CAUTION

Please follow these installation instructions carefully in order to avoid a safety hazard and/or injury.

- The NCB Series Primary Manifold is approved for use with Navien Combi-Boilers ONLY. This manifold is not to be used with any other manufacturer's products.
- This accessory must be installed and serviced by a qualified installer or service agency.

INCLUDED PARTS AND DIMENSIONS



NCB Series Primary Manifold
(#GFFM-MCOZUS-001)

PREPARE FOR INSTALLATION

- Before installing the NCB Series Primary Manifold, shut off the water supply to the installation site and make sure that the boiler is properly mounted on the wall according to the Installation Manual.
- Apply thread sealant to the 1" Heating SUPPLY and RETURN fittings located at the bottom of the unit.

Navien Combi-Boiler Connection Sizes

Description	Diameter
Fuel Gas Inlet	3/4"
Hydronic Auto Feeder	1/2"
Domestic Cold Water Inlet	3/4"
Domestic Hot Water Supply	3/4"
Space Heating Return	1"
Space Heating Supply	1"

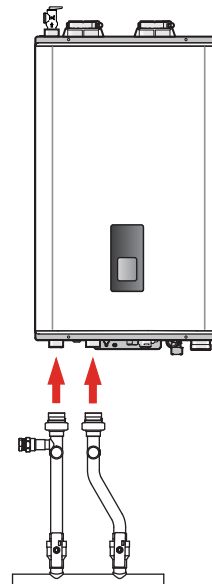
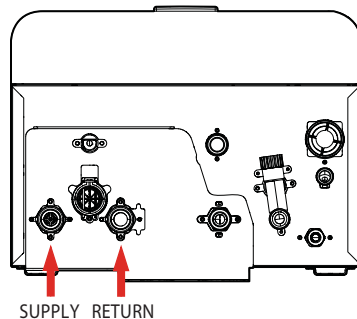


FIGURE 1: Supply and Return Fittings on the Navien NCB Boiler with Connection Sizes

MANIFOLD INSTALLATION

- Identify the SUPPLY (red) and RETURN (blue) pipe connections on the manifold. Use the provided 1" unions from the manifold to attach the piping to their proper connections on the boiler.
 - NOTE:** Make sure that the water connections are tightly sealed to prevent water leaks.
- Install the rest of the piping system to the accessory. Water flow should travel from right to left with the Heating Return entering the manifold from the right side and the Heating Supply exiting from the left. Attach the Heating Supply and Return piping to the 1-1/4" main pipe ends on the manifold and provide sufficient weight support for the plumbing system. This accessory is also compatible with smaller pipe sizes based on BTU demand and flow rate requirements.
- Install any required accessories such as an air separator, expansion tank, check valve, etc. on the heating supply side as illustrated in **FIGURE 2** below.

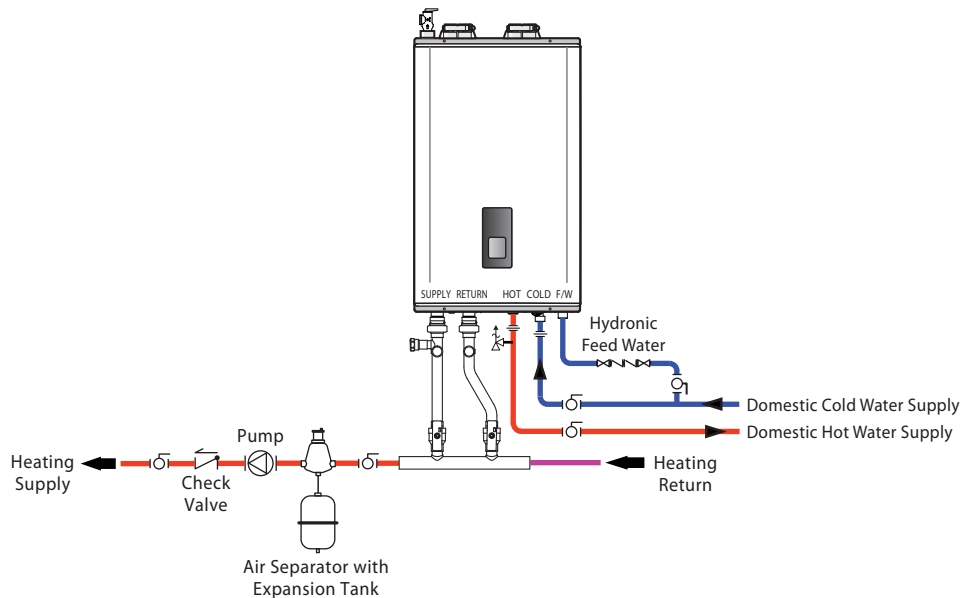


FIGURE 2: Manifold Piping Setup with Accessories

- Additional accessories such as temperature/pressure gauges and optional low water cut-offs can be installed onto the additional ports below (see **FIGURE 3**).

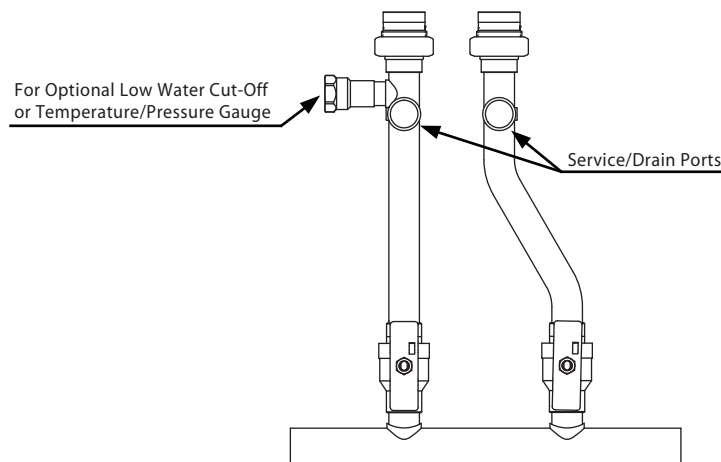


FIGURE 3: Available Ports on the NCB Series Primary Manifold

- Once all steps are completed, it is recommended to flush, purge, then fill the system in order to remove excess pipe debris. Check for any leaks from the piping before initial operation of the heating system.