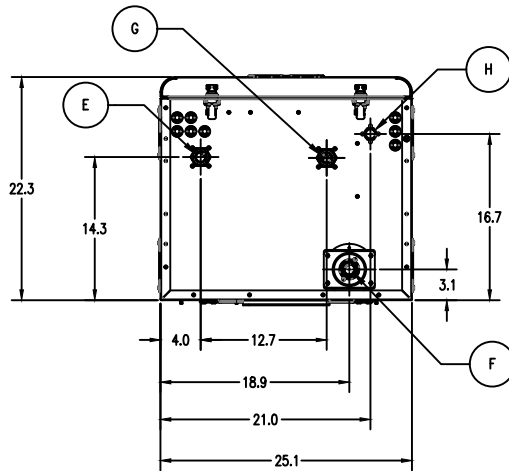
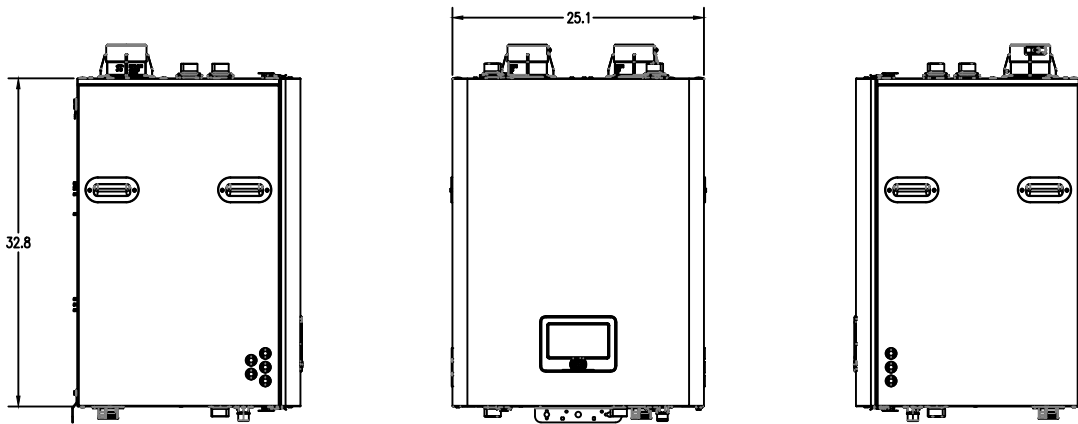
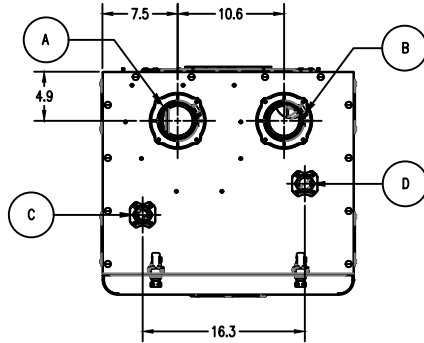


NFC-301C



	DESCRIPTION	NFB-301C
A	AIR INTAKE	3"
B	EXHAUST	3"
C	PRV-AIR VENT CONNECTION (OPTIONAL HEATING SUPPLY)	1 1/4"
D	OPTIONAL HEATING RETURN	1 1/4"
E	HEATING SUPPLY	1 1/4"
F	CONDENSATE OUTLET	3/4"
G	HEATING RETURN	1 1/4"
H	GAS CONNECTION	3/4"