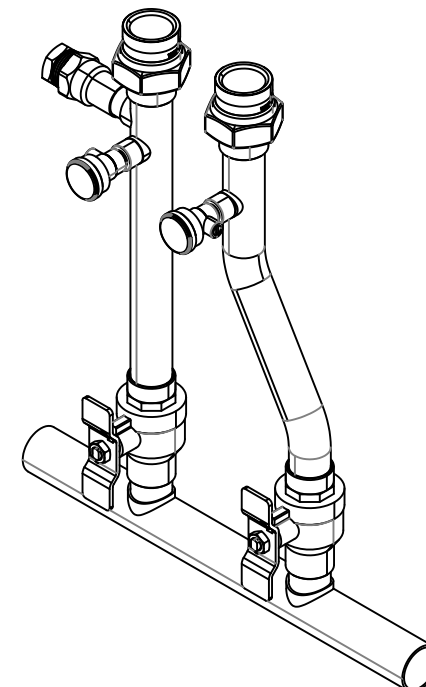
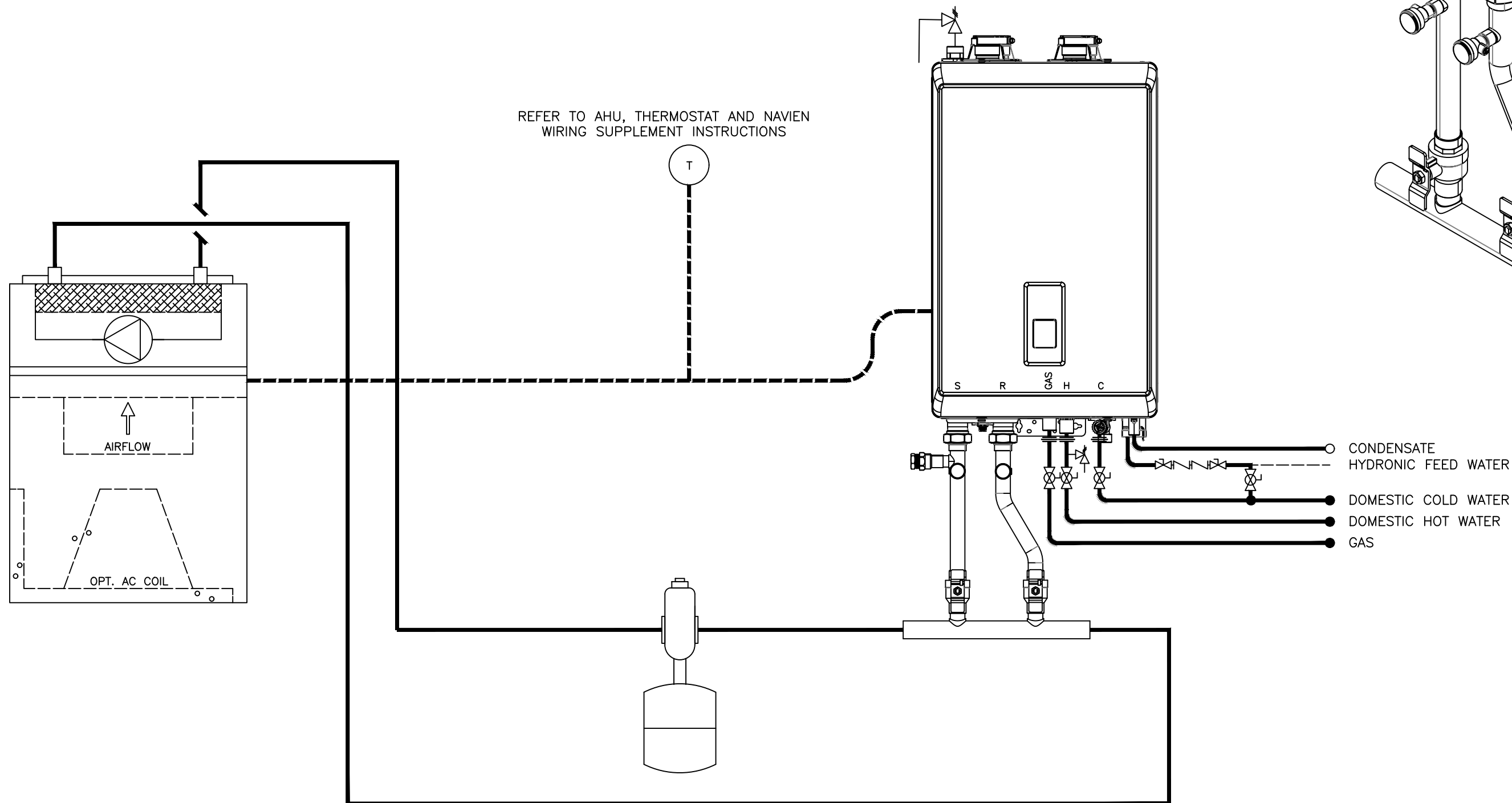


THIS DRAWING IS INTENDED ONLY AS A GUIDE AND NOT AS A REPLACEMENT FOR PROFESSIONALLY ENGINEERED PROJECT DRAWINGS THIS CONCEPT SYSTEM DRAWING DOES NOT IMPLY COMPLIANCE WITH LOCAL BUILDING CODES. ACTUAL INSTALLATION MAY VARY DEPENDING ON INSTALLATION LOCATION AND PARAMETERS AND IT MUST BE DONE IN ACCORDANCE TO ALL LOCAL BUILDING CODES. VERIFY WITH LOCAL BUILDINGS OFFICIALS BEFORE COMMENCEMENT OF SYSTEM INSTALLATION.



REFER TO AHU, THERMOSTAT AND NAVIEN WIRING SUPPLEMENT INSTRUCTIONS



KD Navien
 20 GOODYEAR
 IRVINE, CA 92618
 800-519-8794
 www.navieninc.com

NCB-E SERIES COMBI-BOILER
 NAVIEN NCB-E COMBI BOILER – AHU INT CIRCULATOR
 WITH NCB QUIK-INSTALL MANIFOLD KIT
 PART #GFFM-MCOZUS-001
 DRAWN BY: J.GARCIA
 NCB-E-NCBQUIK4-IC-JG01
 APRIL 30, 2019

	AIR ELIMINATION		CHECK VALVE		FULL-PORT VALVE		AQUASTAT
	ZONE VALVE		PRESSURE RELIEF VALVE		CIRCULATOR		BACKFLOW PREVENTOR
	DHW CIRCULATOR W/AQUASTAT & CHECK VALVE		MIXING VALVE		EXPANSION TANK		SOLENOID VALVE