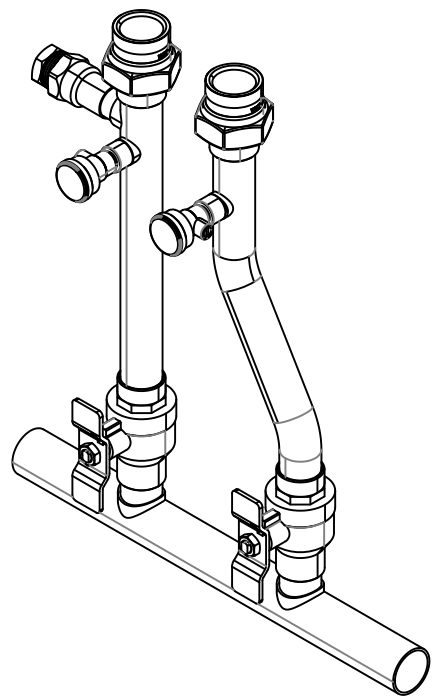
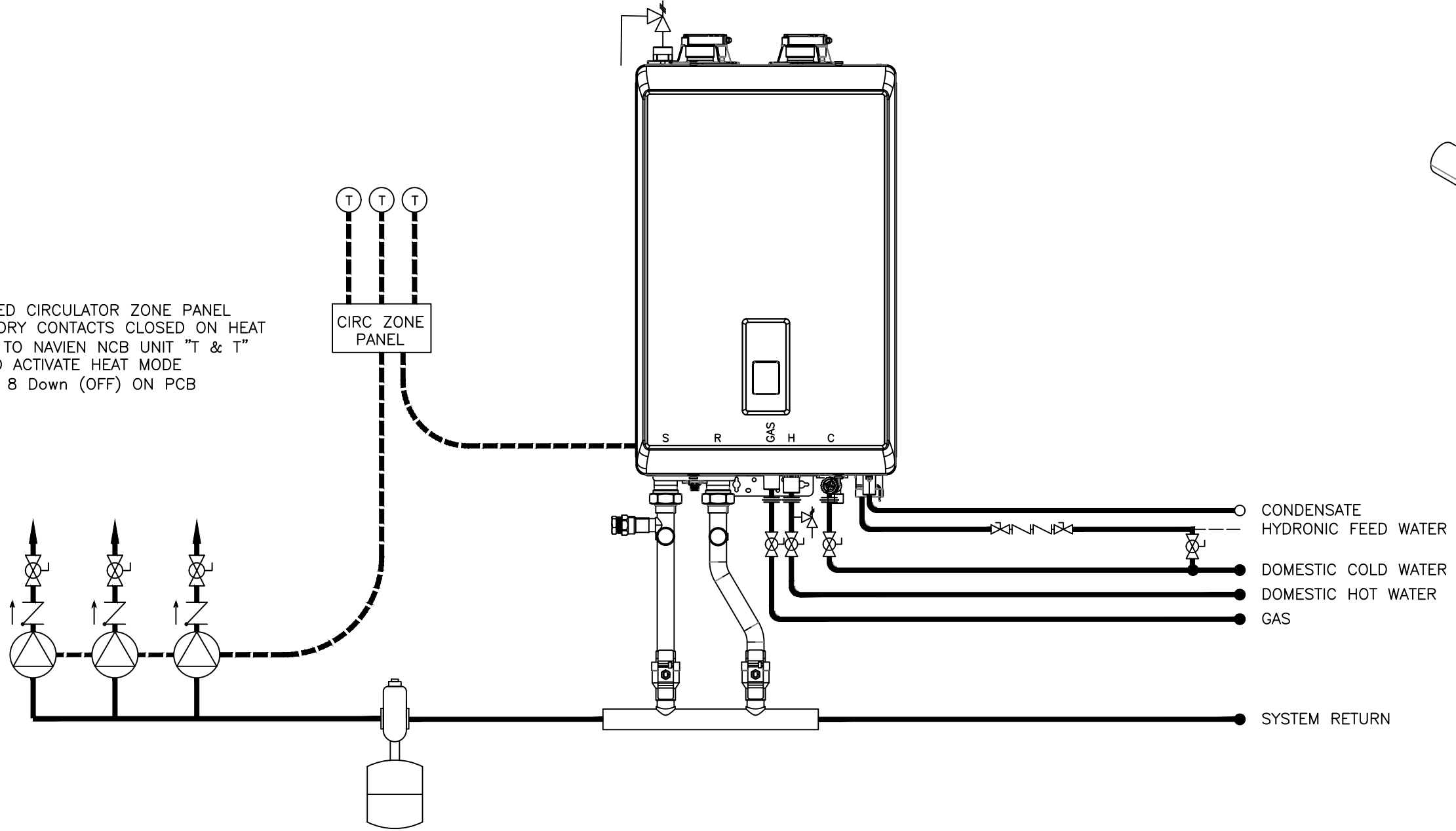


THIS DRAWING IS INTENDED ONLY AS A GUIDE AND NOT AS A REPLACEMENT FOR PROFESSIONALLY ENGINEERED PROJECT DRAWINGS THIS CONCEPT SYSTEM DRAWING DOES NOT IMPLY COMPLIANCE WITH LOCAL BUILDING CODES. ACTUAL INSTALLATION MAY VARY DEPENDING ON INSTALLATION LOCATION AND PARAMETERS AND IT MUST BE DONE IN ACCORDANCE TO ALL LOCAL BUILDING CODES. VERIFY WITH LOCAL BUILDINGS OFFICIALS BEFORE COMMENCEMENT OF SYSTEM INSTALLATION.

FIELD SUPPLIED CIRCULATOR ZONE PANEL SHALL HAVE DRY CONTACTS CLOSED ON HEAT CALLS WIRED TO NAVIEN NCB UNIT "T & T" TERMINALS TO ACTIVATE HEAT MODE DIP Sw 7 OF 8 Down (OFF) ON PCB



**KD Navien**  
 20 GOODYEAR  
 IRVINE, CA 92618  
 800-519-8794  
 www.navieninc.com

NCB-E SERIES COMBI-BOILER

NAVIEN NCB-E COMBI BOILER WITH NCB QUIK-INSTALL MANIFOLD KIT  
 PART # GFFM-MCOZUS-001 MULTIPLE SYSTEM CIRCULATOR SHOWN

DRAWN BY: J.GARCIA      NCB-E-NCBQUIK2-JG01      JULY 23, 2019

	AIR ELIMINATION		CHECK VALVE		FULL-PORT VALVE		AQUASTAT
	ZONE VALVE		PRESSURE RELIEF VALVE		CIRCULATOR		BACKFLOW PREVENTOR
	DHW CIRCULATOR W/AQUASTAT & CHECK VALVE		MIXING VALVE		EXPANSION TANK		SOLENOID VALVE