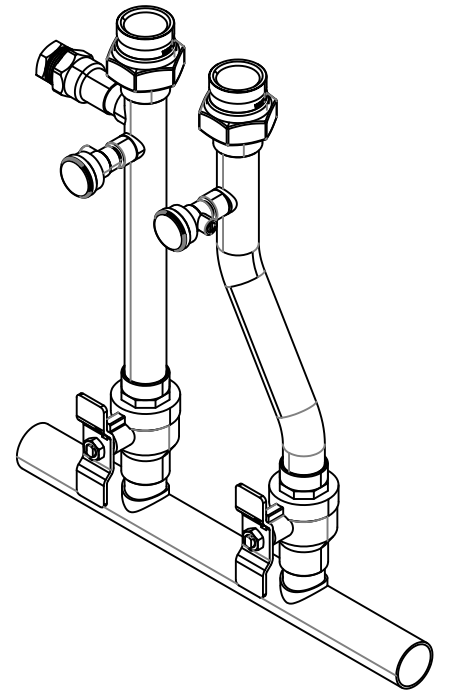
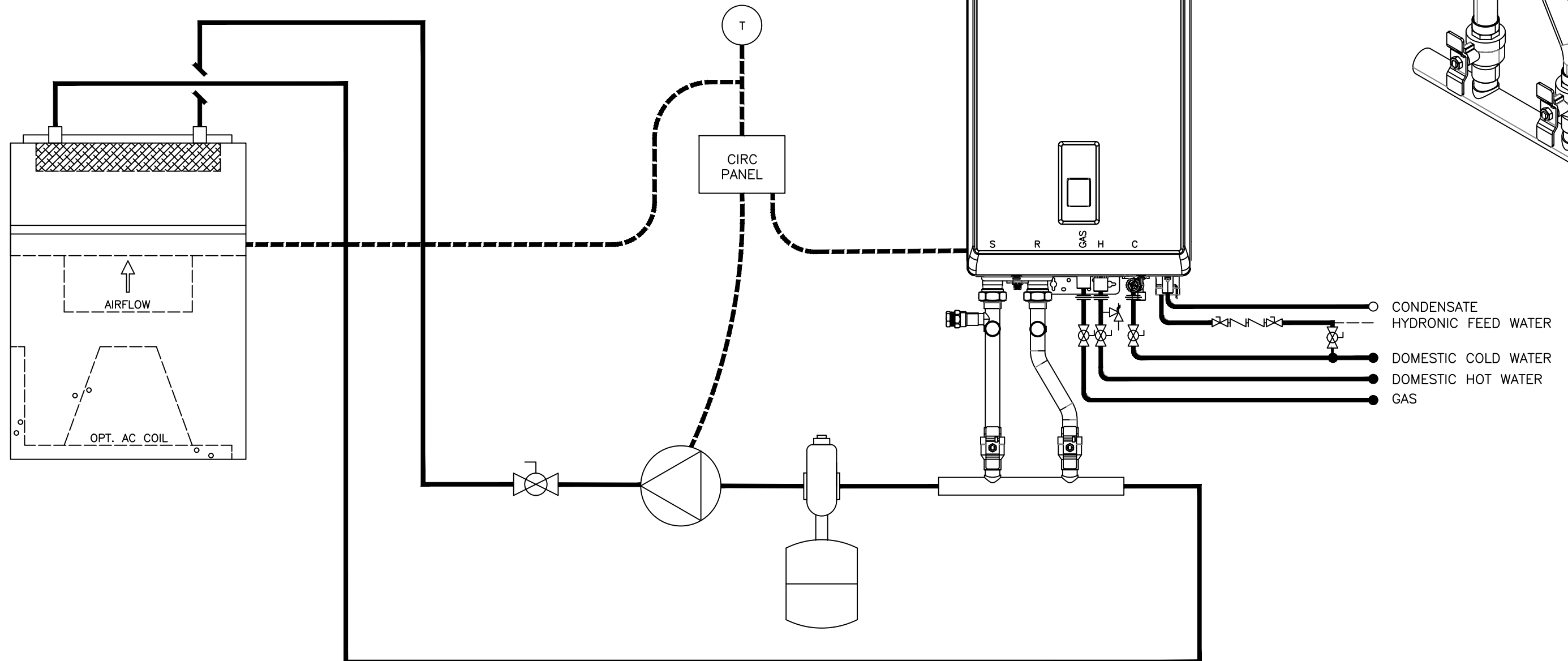


THIS DRAWING IS INTENDED ONLY AS A GUIDE AND NOT AS A REPLACEMENT FOR PROFESSIONALLY ENGINEERED PROJECT DRAWINGS THIS CONCEPT SYSTEM DRAWING DOES NOT IMPLY COMPLIANCE WITH LOCAL BUILDING CODES. ACTUAL INSTALLATION MAY VARY DEPENDING ON INSTALLATION LOCATION AND PARAMETERS AND IT MUST BE DONE IN ACCORDANCE TO ALL LOCAL BUILDING CODES. VERIFY WITH LOCAL BUILDINGS OFFICIALS BEFORE COMMENCEMENT OF SYSTEM INSTALLATION.

FIELD SUPPLIED CIRCULATOR ZONE PANEL SHALL HAVE DRY CONTACTS CLOSED ON HEAT CALLS WIRED TO NAVIEN NCB UNIT "T & T" DIP Sw 7 OF 8 DOWN (OFF) ON PCB



**KD Navien**

20 GOODYEAR  
IRVINE, CA 92618  
800-519-8794  
www.navieninc.com

NCB-E SERIES COMBI-BOILER

NAVIEN NCB-E COMBI BOILER WITH NCB QUIK-INSTALL MANIFOLD KIT  
PART # GFFM-MCOZUS-001 SINGLE SYSTEM CIRCULATOR WITH AHU SHOWN

DRAWN BY: J.GARCIA

NCB-E-NCBQUIK4-JG01

JULY 23, 2019

AIR ELIMINATION	CHECK VALVE	FULL-PORT VALVE	AQUASTAT
ZONE VALVE	PRESSURE RELIEF VALVE	CIRCULATOR	BACKFLOW PREVENTOR
DHW CIRCULATOR W/AQUASTAT & CHECK VALVE	MIXING VALVE	EXPANSION TANK	SOLENOID VALVE