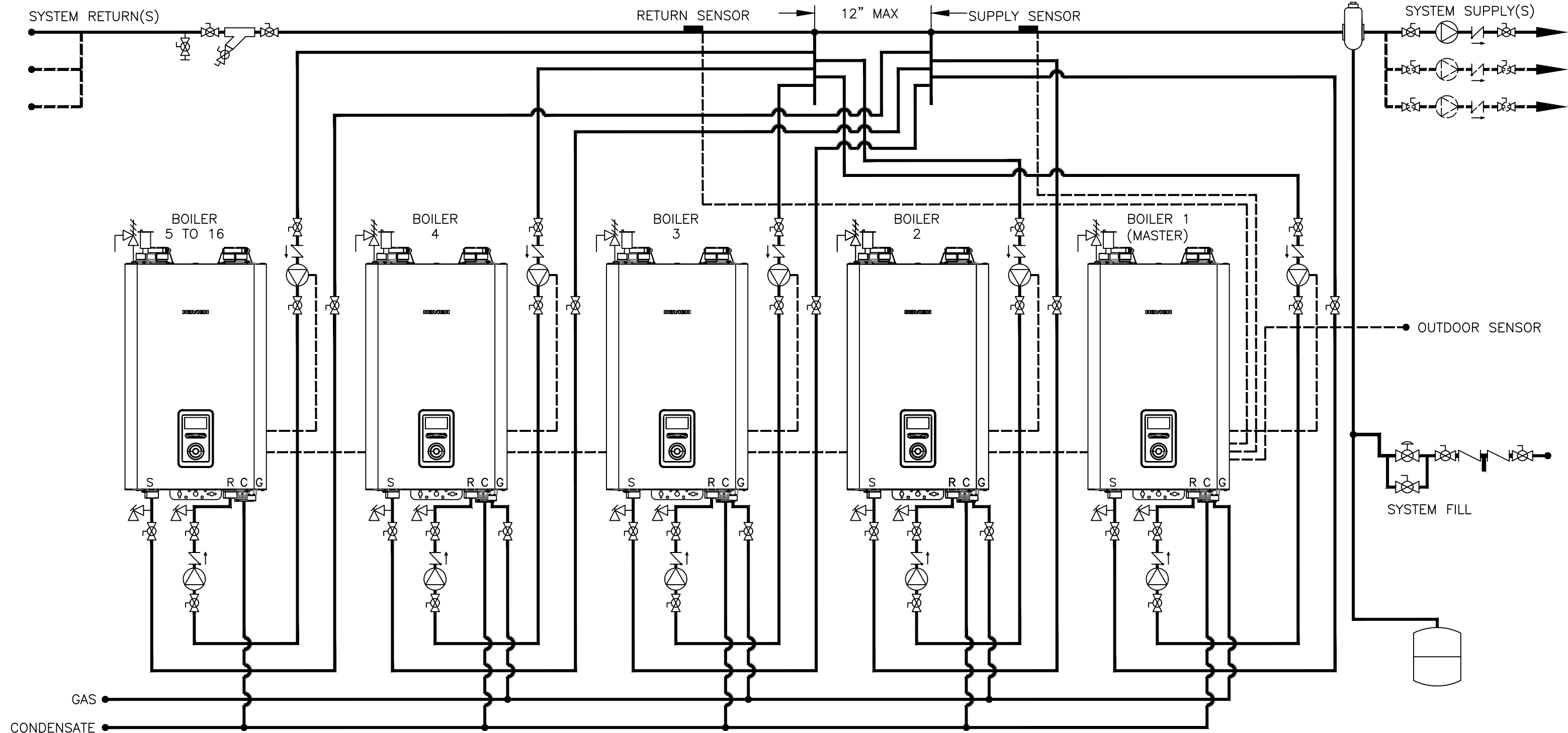


THIS DRAWING IS INTENDED ONLY AS A GUIDE AND NOT AS A REPLACEMENT FOR PROFESSIONALLY ENGINEERED PROJECT DRAWINGS THIS CONCEPT SYSTEM DRAWING DOES NOT IMPLY COMPLIANCE WITH LOCAL BUILDING CODES. ACTUAL INSTALLATION MAY VARY DEPENDING ON INSTALLATION LOCATION AND PARAMETERS AND IT MUST BE DONE IN ACCORDANCE TO ALL LOCAL BUILDING CODES. VERIFY WITH LOCAL BUILDINGS OFFICIALS BEFORE COMMENCEMENT OF SYSTEM INSTALLATION.

RECOMMENDED SYSTEM & HEADER PIPE SIZES - TOTAL BTU (>4 Ft/Sec.) 2" - 350,000 TO 398,00 BTU'S (2 BOILERS)
 2 1/2" - 525,000 TO 796,000 BTU'S (3 & 4 BOILERS) 3" - 875,000 TO 1,300,000 BTU'S (5-7 BOILERS)
 4" - 1,400,000 TO 3,185,000 BTU'S (8 TO 16 BOILERS)



---NAVIEN COMMUNICATION CABLE (1 LESS THAN TOTAL BOILER COUNT REQUIRED)



20 GOODYEAR
 IRVINE, CA 92618
 800-519-8794
 www.navieninc.com

NFB SERIES CONDENSING-BOILER

NAVIEN NFB-175/199 FIVE TO SIXTEEN MULTIPLE BOILER APPLICATION
 INDIVIDUAL SECONDARY INJECTION PIPING

DRAWN BY: J.GARCIA

NFB-175-199-5+MULT-I-JG02

JUNE 06, 2019

AIR ELIMINATION	CHECK VALVE	FULL-PORT VALVE	AQUASTAT
ZONE VALVE	PRESSURE RELIEF VALVE	CIRCULATOR	BACKFLOW PREVENTOR
DHW CIRCULATOR W/AQUASTAT & CHECK VALVE	MIXING VALVE	EXPANSION TANK	SOLENOID VALVE