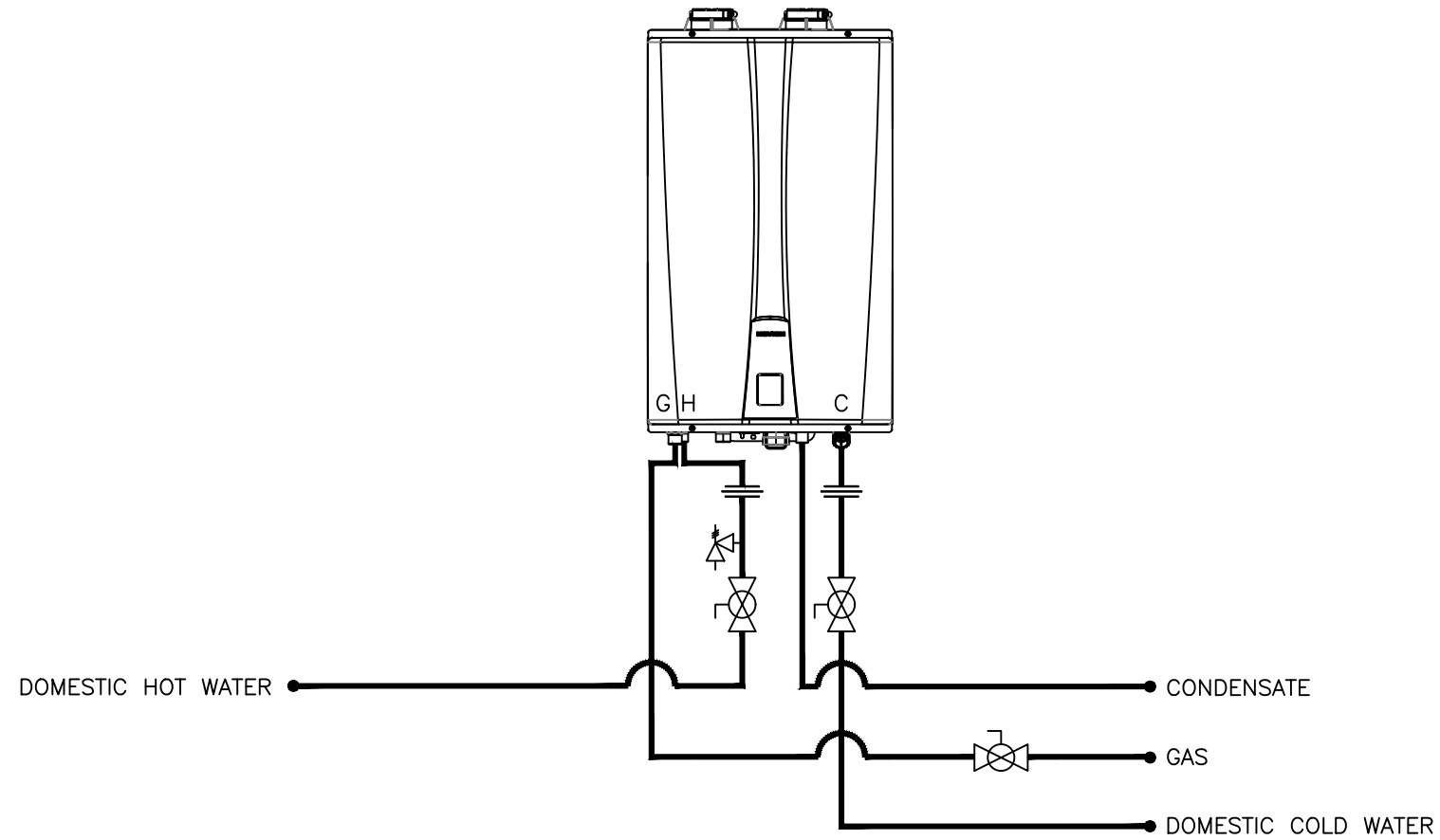


THIS DRAWING IS INTENDED ONLY AS A GUIDE AND NOT AS A REPLACEMENT FOR PROFESSIONALLY ENGINEERED PROJECT DRAWINGS THIS CONCEPT SYSTEM DRAWING DOES NOT IMPLY COMPLIANCE WITH LOCAL BUILDING CODES. ACTUAL INSTALLATION MAY VARY DEPENDING ON INSTALLATION LOCATION AND PARAMETERS AND IT MUST BE DONE IN ACCORDANCE TO ALL LOCAL BUILDING CODES. VERIFY WITH LOCAL BUILDINGS OFFICIALS BEFORE COMMENCEMENT OF SYSTEM INSTALLATION.



RECOMMENDED PIPE SIZE/HEATER COUNT

1 UNIT - 3/4"

2 UNIT - 1"

3 UNIT - 1-3/4"

4 TO 5 UNITS - 1-1/2"

6 TO 8 UNITS - 2"

9 TO 14 UNITS - 2-1/2"

15 TO 16 UNITS - 3"



20 GOODYEAR
IRVINE, CA 92618
800-519-8794
www.navieninc.com

NPE-S SERIES TANKLESS WATER HEATER

ONE NPE-S TANKLESS
(INCLUDES NPE-A, INTERNAL CIRCULATION MODE)

DRAWN BY: J.GARCIA

NPE-S-1-JG03

AUGUST 21, 2019

AIR ELIMINATION	CHECK VALVE	FULL-PORT VALVE	AQUASTAT
ZONE VALVE	PRESSURE RELIEF VALVE	CIRCULATOR	BACKFLOW PREVENTOR
DHW CIRCULATOR W/AQUASTAT & CHECK VALVE	MIXING VALVE	EXPANSION TANK	SOLENOID VALVE