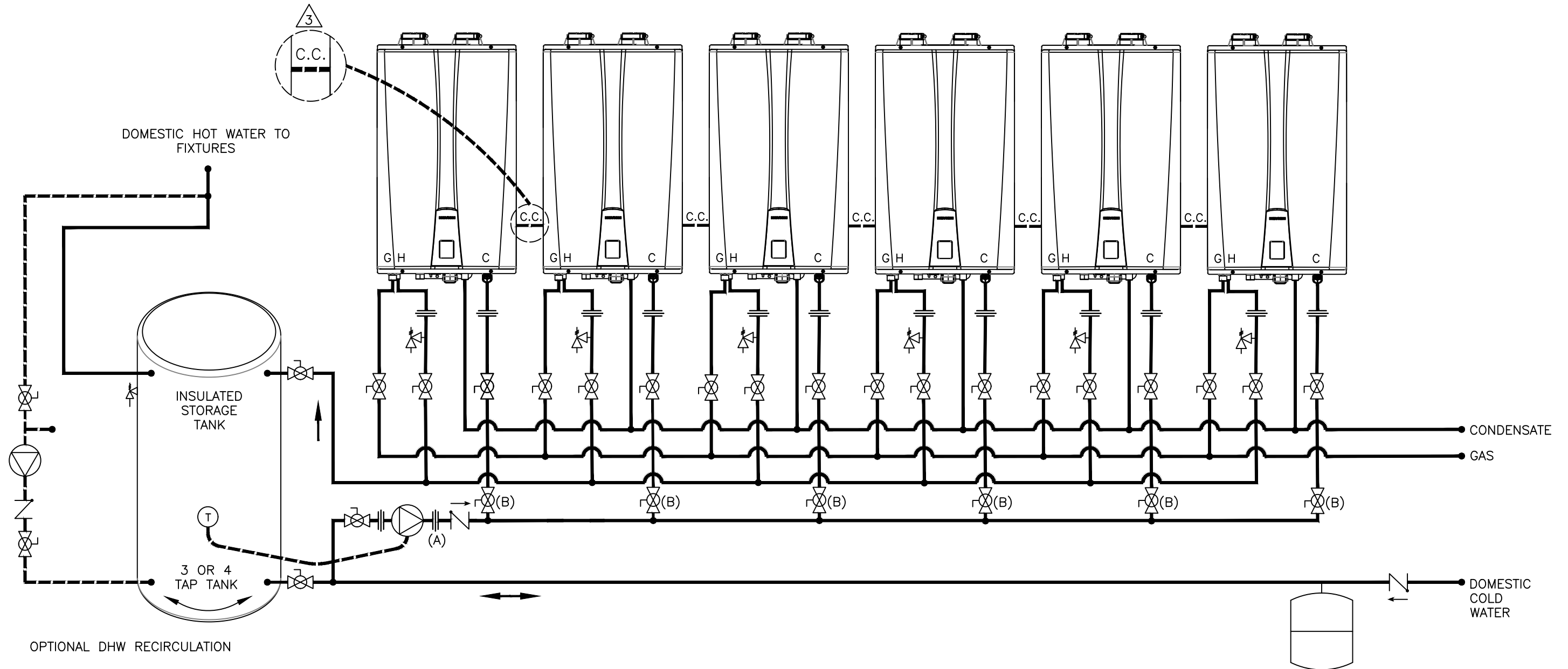


THIS DRAWING IS INTENDED ONLY AS A GUIDE AND NOT AS A REPLACEMENT FOR PROFESSIONALLY ENGINEERED PROJECT DRAWINGS THIS CONCEPT SYSTEM DRAWING DOES NOT IMPLY COMPLIANCE WITH LOCAL BUILDING CODES. ACTUAL INSTALLATION MAY VARY DEPENDING ON INSTALLATION LOCATION AND PARAMETERS AND IT MUST BE DONE IN ACCORDANCE TO ALL LOCAL BUILDING CODES. VERIFY WITH LOCAL BUILDINGS OFFICIALS BEFORE COMMENCEMENT OF SYSTEM INSTALLATION.

NOTES: UNLESS OTHERWISE SPECIFIED

1. (A) TANKLESS CIRCULATOR (BRONZE OR S.S.) SELECT SHALL BE 24 GPM MAX (4 PER TANKLESS) @ 23' TOTAL HEAD (10 PSI) + PIPE, VALVES, FITTING & TANK
2. (B) INSTALL CIRCUIT SETTERS TO MAINTAIN FLOW INTO UNITS @ 4 GPM MAXIMUM.
3. COMMUNICATION CABLE IS ABBREVIATED BY C.C.



RECOMMENDED PIPE SIZE/HEATER COUNT

1 UNIT - 3/4"

2 UNIT - 1"

3 UNIT - 1-3/4"

4 TO 5 UNITS - 1-1/2"

6 TO 8 UNITS - 2"

9 TO 14 UNITS - 2-1/2"

15 TO 16 UNITS - 3"

KD Navien

20 GOODYEAR
IRVINE, CA 92618
800-519-8794
www.navieninc.com

NPE-S SERIES TANKLESS WATER HEATER

SIX NPE-S WITH WITH STORAGE
TO MEET FLOW/TEMP RISE REQUIREMENTS

DRAWN BY:

J.GARCIA

NPE-S-6-ST-JG01

JULY 17, 2019



AIR ELIMINATION



CHECK VALVE



FULL-PORT VALVE



AQUASTAT



ZONE VALVE



PRESSURE RELIEF VALVE



CIRCULATOR



BACKFLOW PREVENTOR



DHW CIRCULATOR W/AQUASTAT & CHECK VALVE



MIXING VALVE



EXPANSION TANK



SOLENOID VALVE