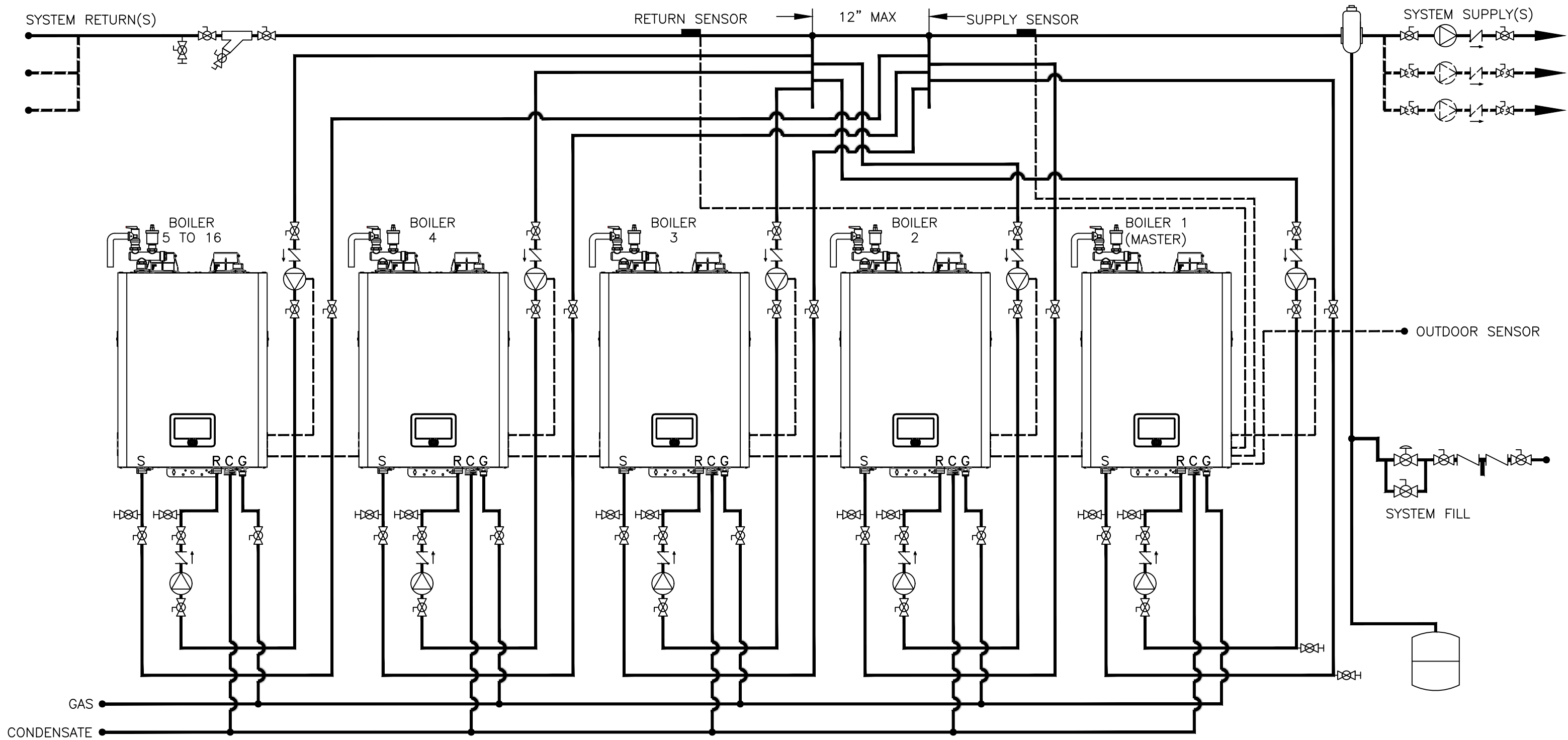


THIS DRAWING IS INTENDED ONLY AS A GUIDE AND NOT AS A REPLACEMENT FOR PROFESSIONALLY ENGINEERED PROJECT DRAWINGS THIS CONCEPT SYSTEM DRAWING DOES NOT IMPLY COMPLIANCE WITH LOCAL BUILDING CODES. ACTUAL INSTALLATION MAY VARY DEPENDING ON INSTALLATION LOCATION AND PARAMETERS AND IT MUST BE DONE IN ACCORDANCE TO ALL LOCAL BUILDING CODES. VERIFY WITH LOCAL BUILDINGS OFFICIALS BEFORE COMMENCEMENT OF SYSTEM INSTALLATION.

RECOMMENDED SYSTEM & HEADER PIPE SIZES - TOTAL BTU (>4 Ft/Sec.) 1 1/2" - UP 301,000 BTU'S (1 BOILER) 2" - 399,000 BTU'S (1 BOILERS) 2 1/2" - 601,000 TO 798,000 BTU'S (2 BOILERS) 3" - 903,000 TO 1,197,000 BTU'S (3 BOILERS) 4" - 1,204,000 TO 3,192,000 BTU'S (4 TO 8 BOILERS)



--- NAVIEN COMMUNICATION CABLE (1 LESS THAN TOTAL BOILER COUNT REQUIRED)



20 GOODYEAR  
IRVINE, CA 92618  
800-519-8794  
www.navieninc.com

NFB-C SERIES CONDENSING-BOILER

NAVIEN NFB-C 301/399 FIVE TO SIXTEEN MULTIPLE BOILER APPLICATION  
INDIVIDUAL SECONDARY INJECTION PIPING

DRAWN BY: J.GARCIA

NFB-C-301-399-5+MULT-1-JG01

OCT 16, 2019

	AIR ELIMINATION		CHECK VALVE		FULL-PORT VALVE		AQUASTAT
	ZONE VALVE		BALL VALVE DRAINS		CIRCULATOR		BACKFLOW PREVENTOR
	DHW CIRCULATOR W/AQUASTAT & CHECK VALVE		MIXING VALVE		EXPANSION TANK		SOLENOID VALVE