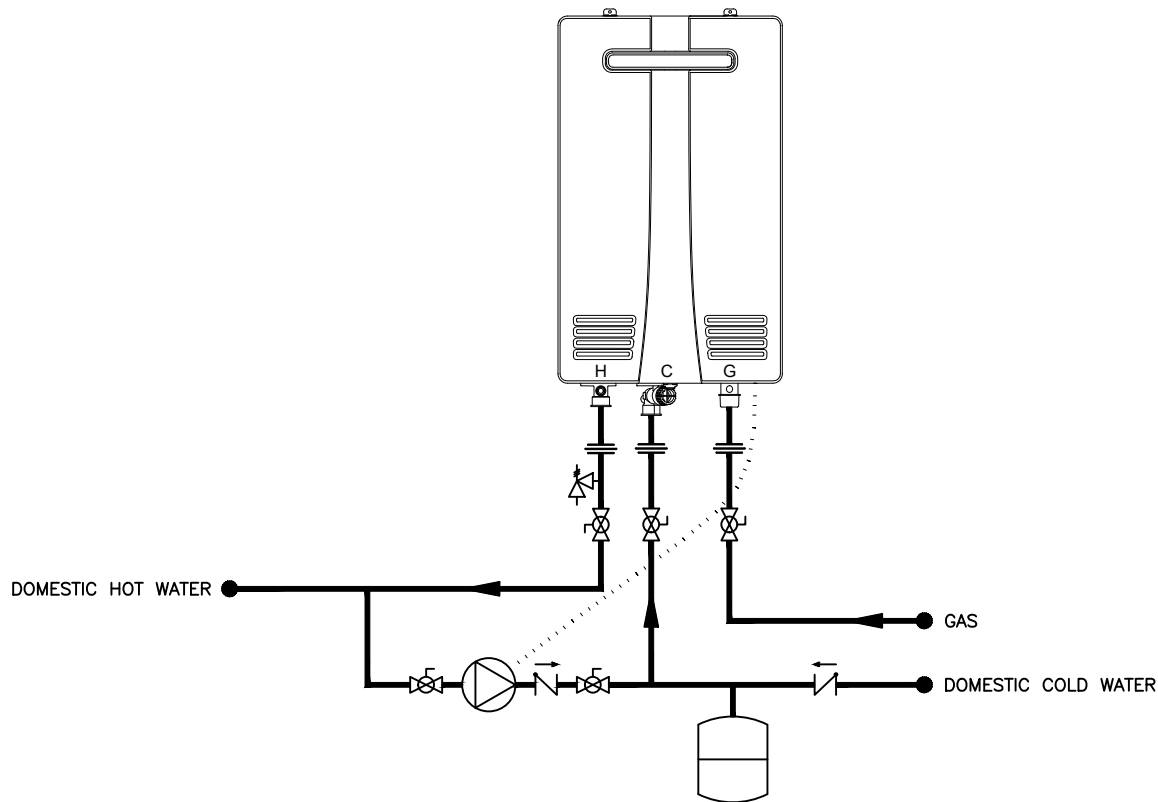


THIS DRAWING IS INTENDED ONLY AS A GUIDE AND NOT AS A REPLACEMENT FOR PROFESSIONALLY ENGINEERED PROJECT DRAWINGS. THIS CONCEPT SYSTEM DRAWING DOES NOT IMPLY COMPLIANCE WITH LOCAL BUILDING CODES. ACTUAL INSTALLATION MAY VARY DEPENDING ON INSTALLATION LOCATION AND PARAMETERS AND IT MUST BE DONE IN ACCORDANCE TO ALL LOCAL BUILDING CODES. VERIFY WITH LOCAL BUILDINGS OFFICIALS BEFORE COMMENCEMENT OF SYSTEM INSTALLATION. CHANGES OR MODIFICATIONS TO PIPING OR DESIGN IS NOT TO BE PERFORMED WITHOUT EXPRESSED WRITTEN PERMISSION BY NAVIEN, INC.



TANKLESS QUANTITY: RECOMMENDED PIPE SIZE

1 UNIT: 3/4"

2 UNITS: 1"

3 UNITS: 1-1/4"

4-5 UNITS: 1-1/2"

6-8 UNITS: 2"

9-14 UNITS: 2-1/2"

15-16 UNITS: 3"

SYMBOL LEGEND



20 GOODYEAR
IRVINE, CA 92618
800-519-8794
www.navienc.com

(1) NPN-E TANKLESS WATER HEATER WITH EXTERNAL RECIRCULATION
SHOWN WITH NAVIEN PUMP WIRE ACCESSORY
INCLUDES MODELS 150, 180 AND 199

DRAWN BY:

S. STOEKE

NPN-E-1-EC

DECEMBER 7, 2020

UNION

CHECK VALVE

FULL-PORT VALVE

EXPANSION TANK

DHW CIRCULATOR W/ PUMP WIRE AND CHECK VALVE

PRESSURE RELIEF VALVE

CIRCULATOR