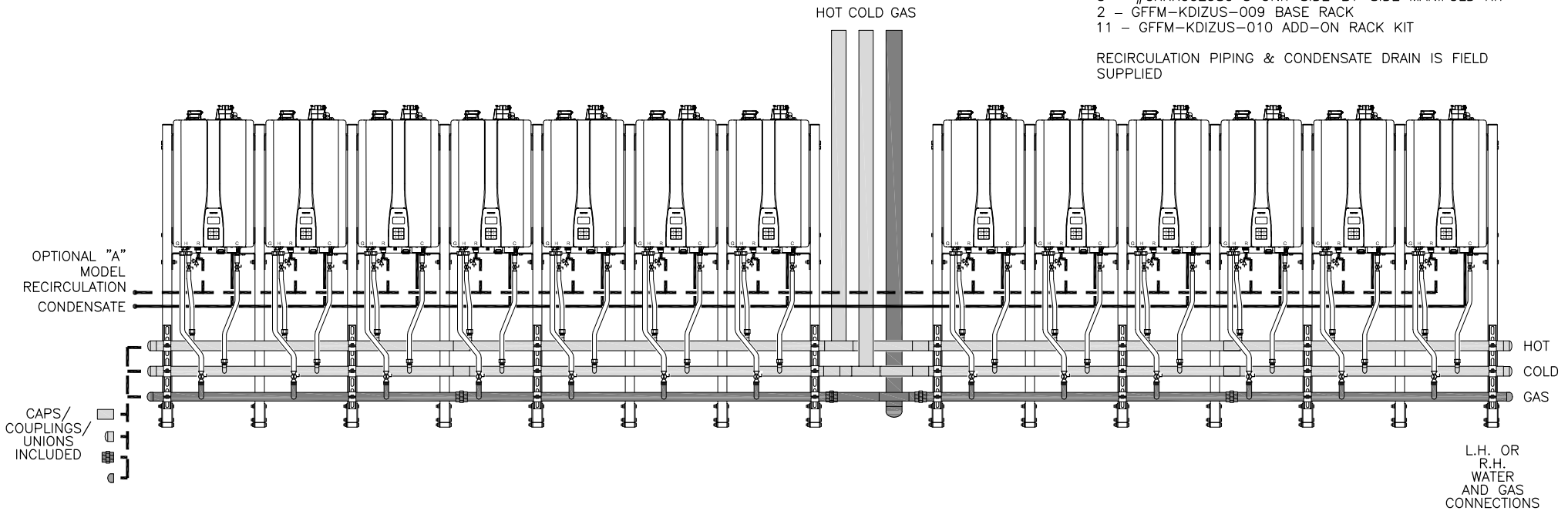


THIS DRAWING IS INTENDED ONLY AS A GUIDE AND NOT AS A REPLACEMENT FOR PROFESSIONALLY ENGINEERED PROJECT DRAWINGS. THIS CONCEPT SYSTEM DRAWING DOES NOT IMPLY COMPLIANCE WITH LOCAL BUILDING CODES. ACTUAL INSTALLATION MAY VARY DEPENDING ON INSTALLATION LOCATION AND PARAMETERS AND IT MUST BE DONE IN ACCORDANCE TO ALL LOCAL BUILDING CODES. VERIFY WITH LOCAL BUILDINGS OFFICIALS BEFORE COMMENCEMENT OF SYSTEM INSTALLATION. CHANGES OR MODIFICATIONS TO PIPING OR DESIGN IS NOT TO BE PERFORMED WITHOUT EXPRESSED WRITTEN PERMISSION BY NAVIEN, INC.

COMPONENTS SHOWN:

- 13 - NPE-240A2 OR S2 MODEL TANKLESS
- 1 - #GXXX002982 4 UNIT SIDE-BY-SIDE MANIFOLD KIT
- 3 - #GXXX002980 3 UNIT SIDE-BY-SIDE MANIFOLD KIT
- 2 - GFFM-KDIZUS-009 BASE RACK
- 11 - GFFM-KDIZUS-010 ADD-ON RACK KIT


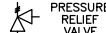


RECIRCULATION PIPING & CONDENSATE DRAIN IS FIELD SUPPLIED



NPE-2 SERIES TANKLESS WATER HEATER
NAVIEN READY-LINK MANIFOLD SYSTEM
(13) UNITS SIDE-BY-SIDE READY-LINK MANIFOLD KIT
WITH READY-LINK RACK SYSTEM

Navien
 20 GOODYEAR
 IRVINE, CA 92618
 800-519-8794
 www.navienc.com

DRAWN BY: S. STOIKE NPE-2-RDYLKSYS-13U-Sbys MAY 6, 2026

SYMBOL LEGEND			
 UNION	 PRESSURE RELIEF VALVE	 FULL-PORT VALVE	
 CASCADE CABLE			