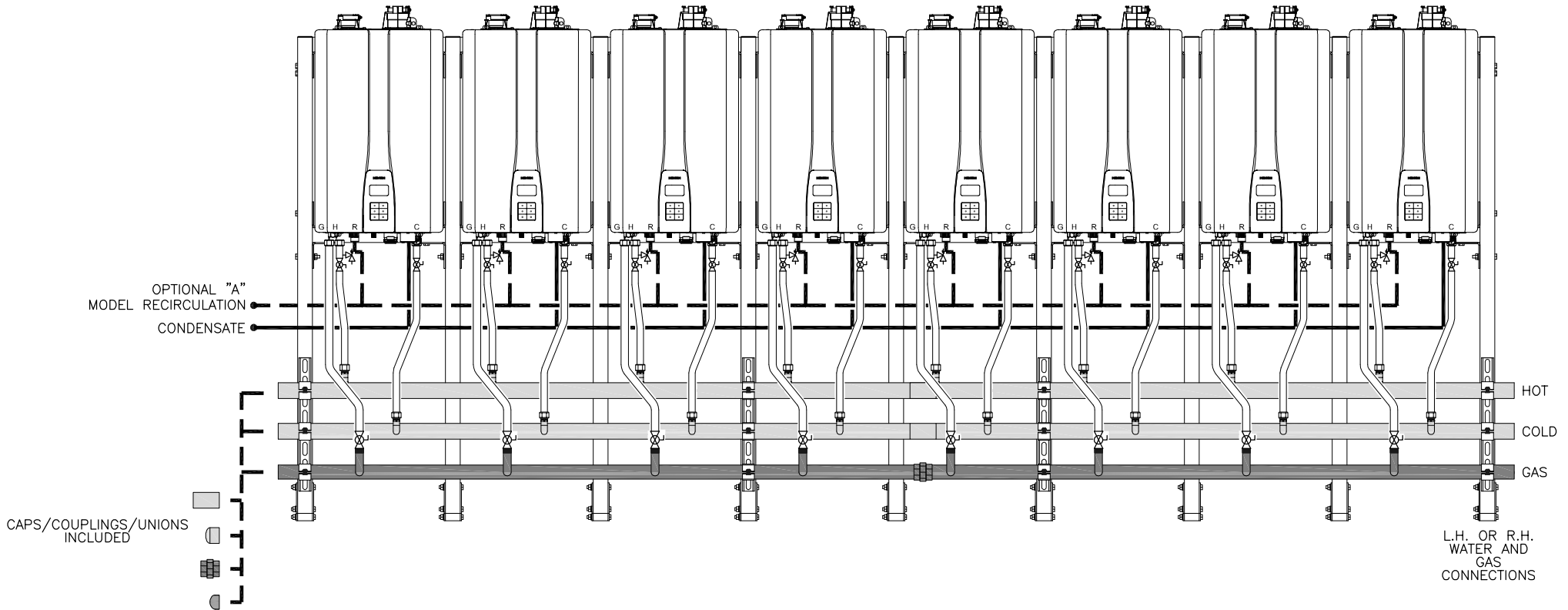


THIS DRAWING IS INTENDED ONLY AS A GUIDE AND NOT AS A REPLACEMENT FOR PROFESSIONALLY ENGINEERED PROJECT DRAWINGS. THIS CONCEPT SYSTEM DRAWING DOES NOT IMPLY COMPLIANCE WITH LOCAL BUILDING CODES. ACTUAL INSTALLATION MAY VARY DEPENDING ON INSTALLATION LOCATION AND PARAMETERS AND IT MUST BE DONE IN ACCORDANCE TO ALL LOCAL BUILDING CODES. VERIFY WITH LOCAL BUILDINGS OFFICIALS BEFORE COMMENCEMENT OF SYSTEM INSTALLATION. CHANGES OR MODIFICATIONS TO PIPING OR DESIGN IS NOT TO BE PERFORMED WITHOUT EXPRESSED WRITTEN PERMISSION BY NAVIEN, INC.

COMPONENTS SHOWN:

- 8 - NPE-240A2 OR S2 MODEL TANKLESS
- 2 - #GXXX002982 4 UNIT SIDE-BY-SIDE MANIFOLD KIT
- 1 - GFFM-KDIZUS-009 BASE RACK
- 7 - GFFM-KDIZUS-010 ADD-ON RACK KIT

RECIRCULATION PIPING & CONDENSATE DRAIN IS FIELD SUPPLIED



20 GOODYEAR
IRVINE, CA 92618
800-519-8794
www.navienc.com

NPE-2 SERIES TANKLESS WATER HEATER
NAVIEN READY-LINK MANIFOLD SYSTEM
(8) UNITS SIDE-BY-SIDE READY-LINK MANIFOLD KIT
WITH READY-LINK RACK SYSTEM

DRAWN BY: S. STOIKE

NPE-2-RDYLKSYS-8U-SbyS

MAY 6, 2026

SYMBOL LEGEND

UNION	PRESSURE RELIEF VALVE	FULL-PORT VALVE
CASCADE CABLE		