



# Quick Facts

## NAE Series



### Condensing Hydro Air Conditioner

#### Product Features



Performance levels up to 30 SEER2\* with Hydro-Boost enabled.



Operates at low sound levels.



Custom modes: Efficiency, Normal, Performance, Boost.



Inverter driven variable-speed compressor.



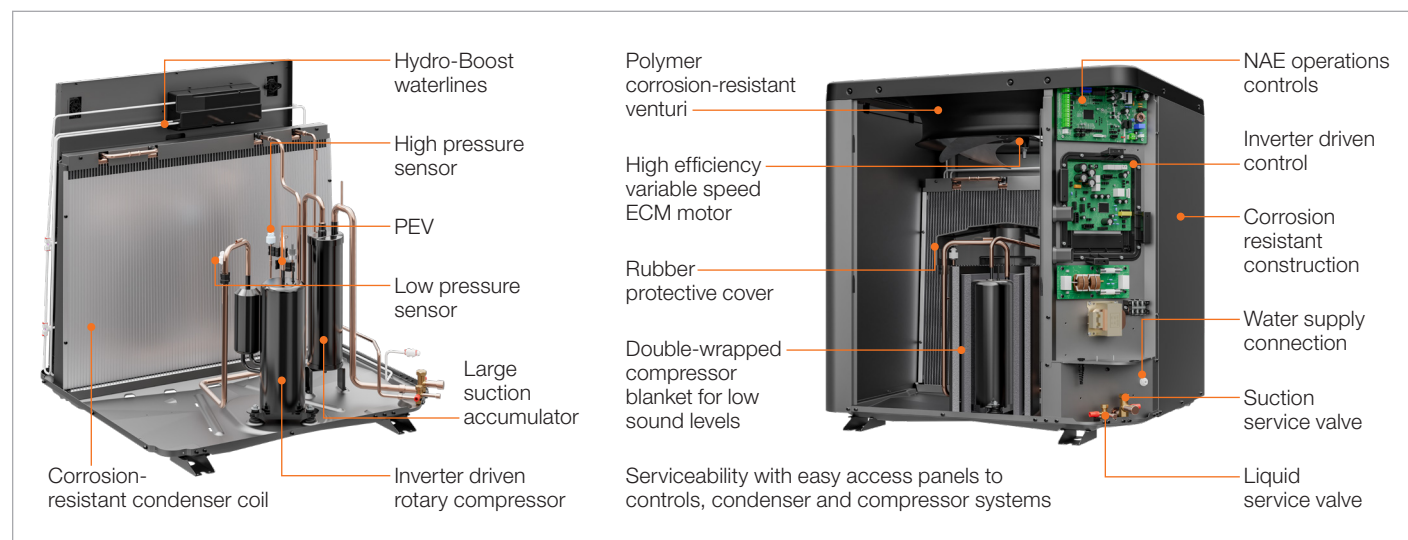
Corrosion-resistant cabinet design with durable powder-coated galvalume steel panels.



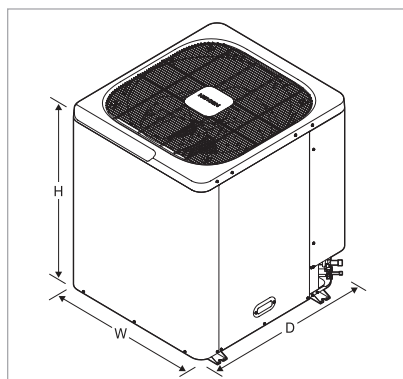
IoT module provides simplified contractor installation and diagnostics.

**\*Note:** Performance boost based on Navien internal testing. Not an industry-certified rating. Results vary by installation and conditions.

### NAE Condensing Hydro Air Conditioner: The Inside Story



#### Dimensions



Model	Height in (mm)	Width in (mm)	Depth in (mm)
NAE28V36	39 (990)	33 (840)	37 (940)
NAE28V60	48.6 (1235)	33 (840)	37 (940)

#### Included Accessories\*





\*Water connection accessories supplied for a typical installation. Needs may vary depending on your specific installation.

#### Warranty

NAE28 – Coverage Table for Labor and Parts Only			
Parts <sup>1</sup>	Application	Residential <sup>2</sup>	Commercial
		Registered <sup>3</sup>	10 years
	Non-registered <sup>4</sup>	5 years	
Labor	90 days <sup>5</sup>		

<sup>1</sup>Refers to all internal functional components of the unit.  
<sup>2</sup>Applies only to a single-family dwelling that services one (1) living unit. Any property converted or utilized to service two or more separate dwelling units, regardless of the municipal address, is automatically classified as a Commercial application and is subject to the reduced warranty period.  
<sup>3</sup>Refers to coverages for units registered within 60 days of the Commencement Date.  
<sup>4</sup>Refers to coverages for units registered 61 days or more after the Commencement Date; Secondary Owners.  
<sup>5</sup>One (1) exception to the 90-Day Labor Warranty will be allowed to provide coverage for one (1) repair or replacement of the Part(s) of the Water Supply Section when the Part(s) is provided through this warranty.  
 Navien's warranty (which may be changed without prior notice) is subject to the terms and conditions found at [www.navieninc.com/warranties](http://www.navieninc.com/warranties).

# NAE Condensing Hydro Air Conditioner Specifications

Item	NAE28V36				NAE28V60			
	2 ton		3 ton		4 ton		5 ton	
Cooling capacity	Hydro-Boost (Navien internal)		Air (AHRI certified)		Hydro-Boost (Navien internal)		Air (AHRI certified)	
Operating mode	Up to 27*		16		Up to 25*		16.5	
Efficiency SEER2	0.35 (0.09)		-		0.35 (0.09)		-	
Maximum water usage, LPM (GPM)	63		73		67		75	
Sound rating level, dBA (max capacity)	33.0 x 37.0 x 39.0 (840 x 940 x 990)		33.0 x 37.0 x 48.6 (840 x 940 x 1235)					
Dimensions W x D x H, in (mm)								
Compressor	Type	Variable speed rotary						
	Maximum rated current (MRC)	25			30			
Fan motor	Rated current (RLA)	1.0			1.0			
	Maximum speed (rpm)	800			900			
Refrigerant	Type	R-454B						
	Charge, lb (kg)	5.29 (2.4)			6.6 (3.0)			
Valve connect	Vapor line OD, in (mm)	3/4 (19.05)			7/8 (22.2)			
	Liquid line OD, in (mm)	3/8 (9.52)			3/8 (9.52)			
Water connect	Type	Fitting (quick connect)						
	Size, in (mm)	1/4 (6.35)			3/4 (19.05)			
Drain, in (mm)	230-1-60			230-1-60				
Electrical data	V-PH-HZ	32.25			38.5			
	Ampacity (MCA)	50			60			
	Max. overcurrent protection, (A)	197/253			197/253			
	Min/max volts (V)	55-126 (12.7-52)			55-126 (12.7-52)			
Operating temperature	Cooling mode, °F (°C)							
Certifications	 							

\*Performance boost based on Navien internal testing. Not an industry-certified rating. Results vary by installation and conditions. Navien reserves the right to change specifications at any time without prior notice. Please refer to [www.navieninc.com](http://www.navieninc.com) to verify you have the most current information.

## NAE System Matching Performance Data

Tons	ODU	IDU	Cased Coil	Cooling Capacity (95°F), BTU/h	EER2 <sup>1</sup>	SEER2 <sup>2</sup>
<b>Variable Speed Air Handler</b>						
2T	NAE28V3622A1	NASV24B2T2A1		22,600	11.30	16.00
3T	NAE28V3622A1	NASV36C2T2A1		31,400	10.60	16.50
4T	NAE28V3622A1	NASV48D2T2A1		32,200	11.70	18.00
4T	NAE28V6022A1	NASV48D2T2A1		43,000	12.00	18.00
5T	NAE28V6022A1	NASV59D2T2A1		52,500	10.20	17.00
<b>NPF Furnace + Cased Coil</b>						
2T	NAE28V3622A1	NPF700-060U3BH	NAM24B2TA1	23,000	10.80	16.50
2T	NAE28V3622A1	NPF700-060H3BH	NAM24B2TA1	23,000	10.80	16.50
2T	NAE28V3622A1	NPF700-060D5CH	NAM24B2TA1	23,000	11.00	15.80
2T	NAE28V3622A1	NPF700-080U3BH	NAM24B2TA1	23,000	10.80	16.50
2T	NAE28V3622A1	NPF700-080H3BH	NAM24B2TA1	23,000	10.80	16.50
2T	NAE28V3622A1	NPF700-080D5CH	NAM24B2TA1	23,000	11.00	15.80
3T	NAE28V3622A1	NPF700-060U3BH	NAM36B2TA1	31,400	10.30	16.00
3T	NAE28V3622A1	NPF700-060H3BH	NAM36B2TA1	31,400	10.30	16.00
3T	NAE28V3622A1	NPF700-060D5CH	NAM36B2TA1	31,000	9.80	16.00
3T	NAE28V3622A1	NPF700-080U3BH	NAM36B2TA1	31,400	10.30	16.00
3T	NAE28V3622A1	NPF700-080H3BH	NAM36B2TA1	31,400	10.30	16.00
3T	NAE28V3622A1	NPF700-080D5CH	NAM36B2TA1	31,000	9.80	16.00
3T	NAE28V3622A1	NPF700-060U5CH	NAM36C2TA1	31,400	10.00	15.50
3T	NAE28V3622A1	NPF700-060H5CH	NAM36C2TA1	31,000	9.80	15.20
3T	NAE28V3622A1	NPF700-060D5CH	NAM36C2TA1	31,000	9.80	16.00
3T	NAE28V3622A1	NPF700-080U5CH	NAM36C2TA1	31,400	10.00	15.50
3T	NAE28V3622A1	NPF700-080H5CH	NAM36C2TA1	31,000	9.80	15.20
3T	NAE28V3622A1	NPF700-080D5CH	NAM36C2TA1	31,000	9.80	16.00
3T	NAE28V3622A1	NPF700-100U5CH	NAM36C2TA1	31,400	10.30	16.50
3T	NAE28V3622A1	NPF700-100H5CH	NAM36C2TA1	31,200	10.00	16.10
3T	NAE28V3622A1	NPF700-100D5CH	NAM36C2TA1	31,000	9.80	15.60
3T	NAE28V3622A1	NPF700-100U5CH	NAM48C2TA1	32,600	10.80	16.50
3T	NAE28V3622A1	NPF700-100H5CH	NAM48C2TA1	31,800	10.50	16.20
3T	NAE28V3622A1	NPF700-100D5CH	NAM48C2TA1	32,600	10.80	16.50
3T	NAE28V3622A1	NPF700-100U5CH	NAM59C2TA1	32,600	10.80	16.50
3T	NAE28V3622A1	NPF700-100H5CH	NAM59C2TA1	31,800	10.50	16.20
3T	NAE28V3622A1	NPF700-100D5CH	NAM59C2TA1	32,600	10.80	16.50
4T	NAE28V6022A1	NPF700-100U5CH	NAM48C2TA1	43,000	10.80	16.50
4T	NAE28V6022A1	NPF700-100H5CH	NAM48C2TA1	42,000	10.50	16.00
4T	NAE28V6022A1	NPF700-100D5CH	NAM48C2TA1	42,000	10.50	16.00
5T	NAE28V6022A1	NPF700-100U5CH	NAM59C2TA1	50,500	9.80	16.00
5T	NAE28V6022A1	NPF700-100H5CH	NAM59C2TA1	50,000	9.80	15.50
5T	NAE28V6022A1	NPF700-100D5CH	NAM59C2TA1	50,000	9.80	15.20
5T	NAE28V6022A1	NPF700-100U5CH	NAM59D2TA1	50,500	9.80	15.50
5T	NAE28V6022A1	NPF700-100H5CH	NAM59D2TA1	50,000	9.80	15.20
5T	NAE28V6022A1	NPF700-100D5CH	NAM59D2TA1	50,500	9.80	15.50

Performance data subject to change. Check [www.ahridirectory.org](http://www.ahridirectory.org) for latest information.

<sup>1</sup>Energy Efficiency Ratio; Certified per AHRI 210/240.

<sup>2</sup>Seasonal Energy Efficiency Ratio; Certified per AHRI 210/240.

## NAE Condensing Hydro Air Conditioner Sound Ratings

Nominal Capacity (BTU/h)	Operating Conditions	Sound Rating Level (DBA)	
		Low	High
24K	Hydro	55	63
	Air	60	73
36K	Hydro	55	63
	Air	61	73
48K	Hydro	56	67
	Air	59	75
60K	Hydro	57	67
	Air	63	75

\*dBA measured in AHRI 210/240 low condition.

Tested to AHRI270. Additional sound level information available at: [www.ensafe.com/occupational-noise-exposure-legal-requirements](http://www.ensafe.com/occupational-noise-exposure-legal-requirements).

Accessories and components are subject to change or discontinuation without notice. Images are for illustrative purposes only and actual products may vary based on current vendor availability. Navien reserves the right to substitute equivalent accessories or components from alternative vendors as necessary.

For the most up-to-date product information and current accessory availability, please visit [navieninc.com](http://navieninc.com) or contact your local Navien representative.

We are @Navieninc everywhere



**Navien, Inc.** [navieninc.com](http://navieninc.com) 800-519-8794  
20 Goodyear, Irvine, CA 92618

**Navien Canada, Inc.** [navieninc.ca](http://navieninc.ca) 800-519-8794  
555 Hanlan Rd., Unit 7, Vaughan, ON L4L 4R8

