

NaviCirc™

Recirculation Valve

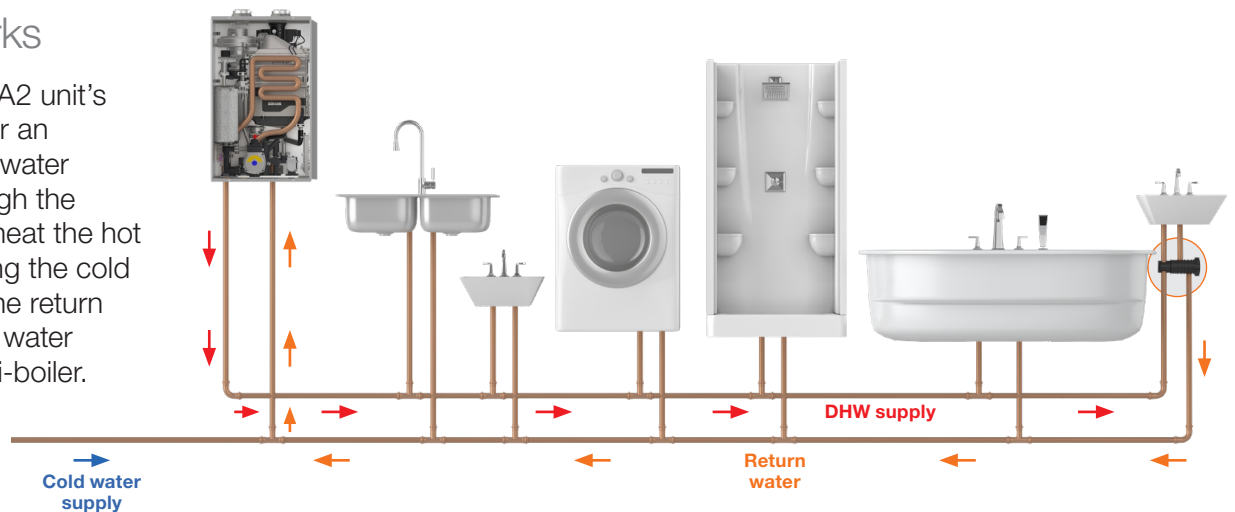
For Tankless Water Heaters and Combi-boilers

Designed for recirculation of domestic hot water in applications where a dedicated return line is not available



How it Works

Using the NPE-A2 unit's built-in pump, or an external pump, water circulates through the NaviCirc to preheat the hot water lines, using the cold supply line as the return line back to the water heater or combi-boiler.

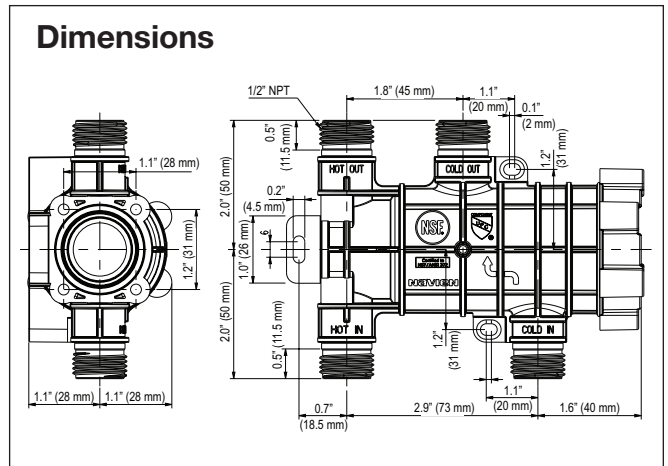


NaviCirc™ Recirculation Valve

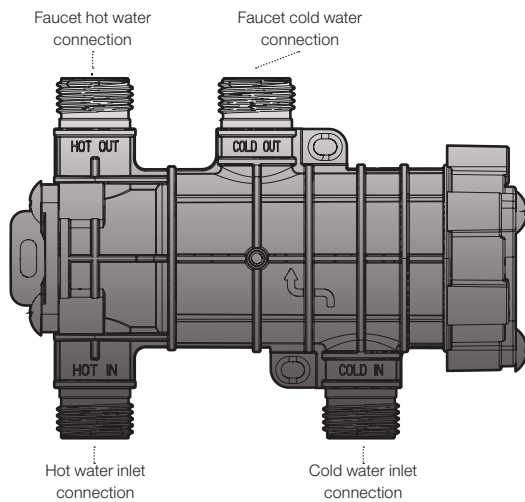
NaviCirc is a simple plumbing device that uses the existing hot and cold water lines to reduce the wait time for hot water at the faucet without the need for a dedicated recirculation return line

- Designed and optimized for use with Navien NPE-2, NHW, NPN, NCB-H and NFC-H series.*
- Automatically blocks circulation when the hot water temperature within the valve is about 95°F (35°C)
- Compatible with the Navien HotButton Kit for demand-type recirculation systems

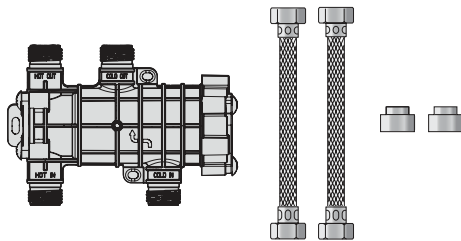
* NPE-S2, NHW-S, NPN, NCB-H and NFC-H units require extra external pump and external pump wire that are not included with the NaviCirc Kit.



Component Layout



NaviCirc Kit



NaviCirc Valve Kit #GXXX003010
(includes two 1/2" x 3/8" flexible hoses and adapters)

Specifications

Items	Specifications
Valve Only Part Number	PFFW-SXX-001
NaviCirc Kit Part Number	GXXX003010
Water Flow Rate Range	0.53 - 1.06 GPM (2.0 - 4.0 LPM)
Crossover Shutoff Temperature	95°F (35°C)
Water Temperature Range	41°F to 180°F (5°C to 82°C)
Ambient Temperature Range	32 - 122°F (0 - 50°C) (Indoor use only)
Storage Temperature Range	23 - 122°F (-10 - 50°C)
Maximum Water Pressure	150 psi
Connection Size	1/2" NPS
Installation Operation	Horizontal Only
Dimensions (in)	5.62 x 3.93 x 2.19
Weight (lb)	1.1 lb (0.5 kg)
Warranty	3 Years

Navien Inc., 20 Goodyear, Irvine, CA 92618 800-519-8794 navieninc.com

Navien Canada, Inc. 555 Hanlan Rd., Unit 7 Vaughan, ON L4L 4R8 800-519-8794 navieninc.ca