

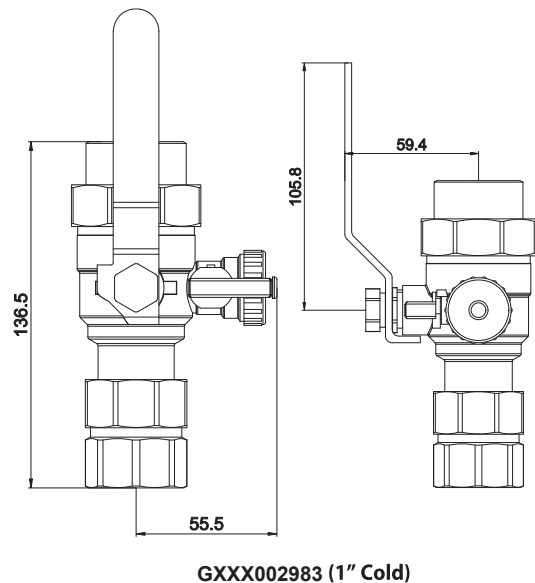
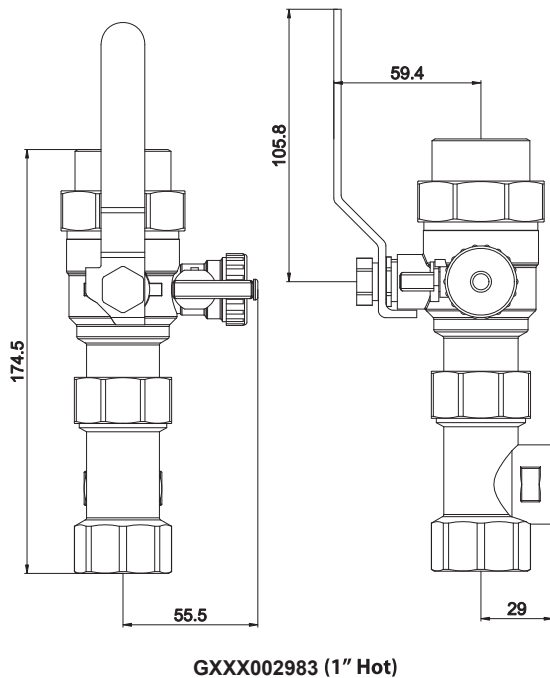
INTRODUCTION

WARNING

Please follow these installation instructions carefully in order to avoid a safety hazard and/or injury.

- Before connecting any components, be sure to read all of the tankless water heater manufacturer's installation instructions. Failure to follow instructions below can result in serious injury, death, and/or property damage.
- For valves with CPVC or PEX end connections do not exceed the tubing manufacturers pressure and temperature ratings. Refer to the tubing manufacturers product specifications for that information.

INCLUDED PARTS AND DIMENSIONS



Navien Plumb Easy Valve Set Includes:

- One (1) Hot Water Service Valve with Red Handle
- One (1) Cold Water Service Valve with Blue Handle

ATTENTION

After installation, please leave this Instruction Sheet near the water heater or boiler for future reference whenever maintenance or service is required.

IMPORTANT

Check with governing authorities for local installation codes and requirements.

PREPARE FOR INSTALLATION

- Identify all components and orientations before starting the installation.
- Before attaching any components to the tankless water heater, attach the PRESSURE RELIEF VALVE to the HOT WATER SERVICE VALVE.
 - Apply thread sealant to the exposed threads of the pressure relief valve.
 - Thread the pressure relief valve into the 3/4" port on the side of the hot water valve and hand tighten. Using a wrench, tighten the pressure relief valve until the discharge on the pressure relief valve is positioned downward on the isolation valve, as shown in Figure 1.

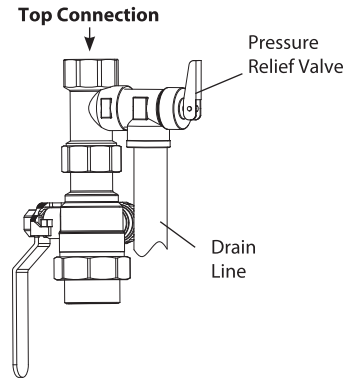


Figure 1: Hot Water Service Valve
(with Pressure Relief Valve)

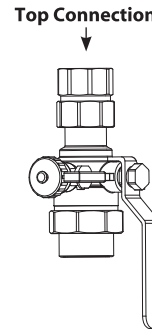


Figure 2: Cold Water Service Valve

INSTALLATION

- Install the COLD WATER SERVICE VALVE (Figure 2) onto the cold water inlet of the tankless water heater.
 - Locate the cold water threaded inlet on the tankless water heater and apply thread sealant to the threads.
 - Slightly loosen the union nut on the top of the cold water valve so that the union tailpiece rotates freely.
 - Holding the cold water valve beneath the cold water inlet, thread the union tailpiece onto the inlet and hand tighten. Using a wrench, tighten the union tailpiece. Next, position the cold water valve with the purge port pointing forward, towards the front of the water heater, and hand tighten the union nut.
 - Tighten the union nut with a wrench, making sure that the valve does not rotate out of position.
- Install the HOT WATER SERVICE VALVE onto the hot water outlet of the tankless water heater.

WARNING: Do NOT install a shutoff valve between the tankless water heater and pressure relief valve.

 - Locate the hot water threaded outlet on the tankless water heater and apply thread sealant to the threads.
 - Repeat the steps used to complete the installation of the COLD WATER SERVICE VALVE.
- Connect the water supply line and pressure relief drain line.
 - Attach the HOT water supply line to the 3/4" threaded connection on the HOT WATER VALVE using thread sealant on the threads of the water fitting.
 - Attach the COLD water supply line to the 3/4" threaded connection on the COLD WATER VALVE using thread sealant on the threads of the water fitting.
 - Attach the drain line to the pressure relief valve and run the piping per local code requirements.
- Start-up & Normal Operation
 - Before turning on the supply water to the heater, make sure that all valve handles on both the hot & cold valves are closed (perpendicular to the main valve bodies) and ensure that the purge port valve caps are tightened down. **Note:** THE VALVE CAP WILL NOT STOP EXCESSIVE WATER FLOW.
 - For water heater start-up, refer to the water heater owners' manual.
 - During normal operation, the main water valves are open when the main valve handle is parallel with the main valve body and closed when the main valve handle is perpendicular to the main valve body.
 - For the purge port valves, the purge port valve is open when the slot is parallel with the purge port valve body and closed when the slot is perpendicular to the purge port valve.

LIMITED WARRANTY

- Navien, Inc. warrants each product to be free from defects in material and workmanship under normal usage for a period of one year from the date of original shipment. In the event of such defects within the warranty period, Navien will, at its option, replace or recondition the product without charge.