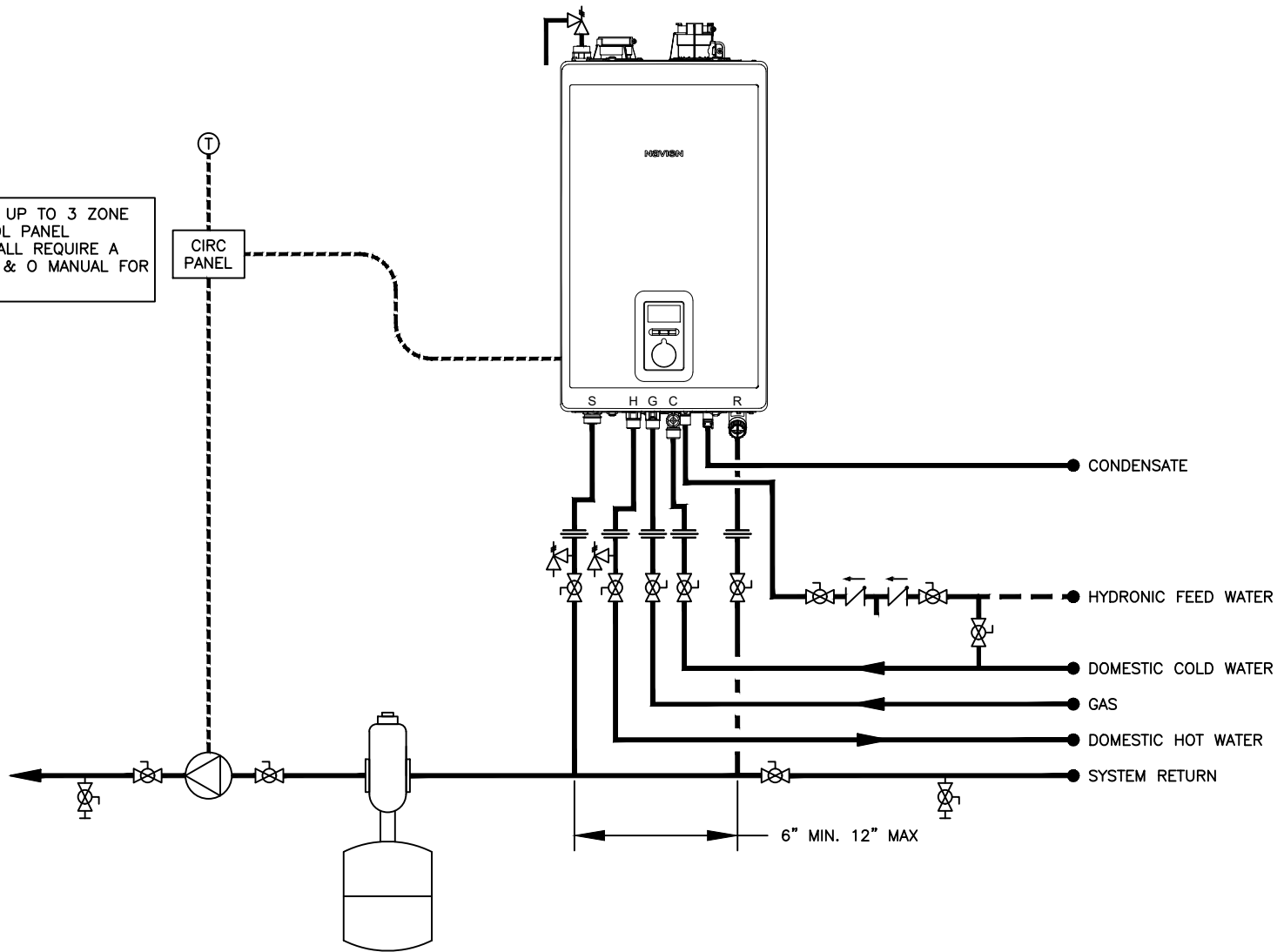


THIS DRAWING IS INTENDED ONLY AS A GUIDE AND NOT AS A REPLACEMENT FOR PROFESSIONALLY ENGINEERED PROJECT DRAWINGS. THIS CONCEPT SYSTEM DRAWING DOES NOT IMPLY COMPLIANCE WITH LOCAL BUILDING CODES. ACTUAL INSTALLATION MAY VARY DEPENDING ON INSTALLATION LOCATION AND PARAMETERS AND IT MUST BE DONE IN ACCORDANCE TO ALL LOCAL BUILDING CODES. VERIFY WITH LOCAL BUILDINGS OFFICIALS BEFORE COMMENCEMENT OF SYSTEM INSTALLATION. CHANGES OR MODIFICATIONS TO PIPING OR DESIGN IS NOT TO BE PERFORMED WITHOUT EXPRESSED WRITTEN PERMISSION BY NAVIEN, INC.

NCB-H UNIT CAN INTERNALLY CONTROL UP TO 3 ZONE CIRCULATORS, WITHOUT A ZONE CONTROL PANEL INSTALLED. ANY ADDITIONAL ZONES SHALL REQUIRE A CIRC ZONE PANEL. REFER TO NAVIEN I & O MANUAL FOR ADDITIONAL INFORMATION.



20 GOODYEAR  
IRVINE, CA 92618  
800-519-8794  
www.navienc.com

NCB-H SERIES COMBI-BOILER

(1) NCB-H COMBI-BOILER  
SINGLE CIRCULATOR ZONE APPLICATION  
INCLUDES MODELS NCB-190/060H, 190/080H, 240/110H, 240/130H, 250/150H

DRAWN BY:

S. STOEKE

NCB-H-1-EC-1

APRIL 30, 2021

SYMBOL LEGEND

BACKFLOW PREVENTER	CHECK VALVE	FULL-PORT VALVE	EXPANSION TANK
CONTROL WIRING	PRESSURE RELIEF VALVE	CIRCULATOR	UNION
CASCADE CABLE	AIR ELIMINATION		