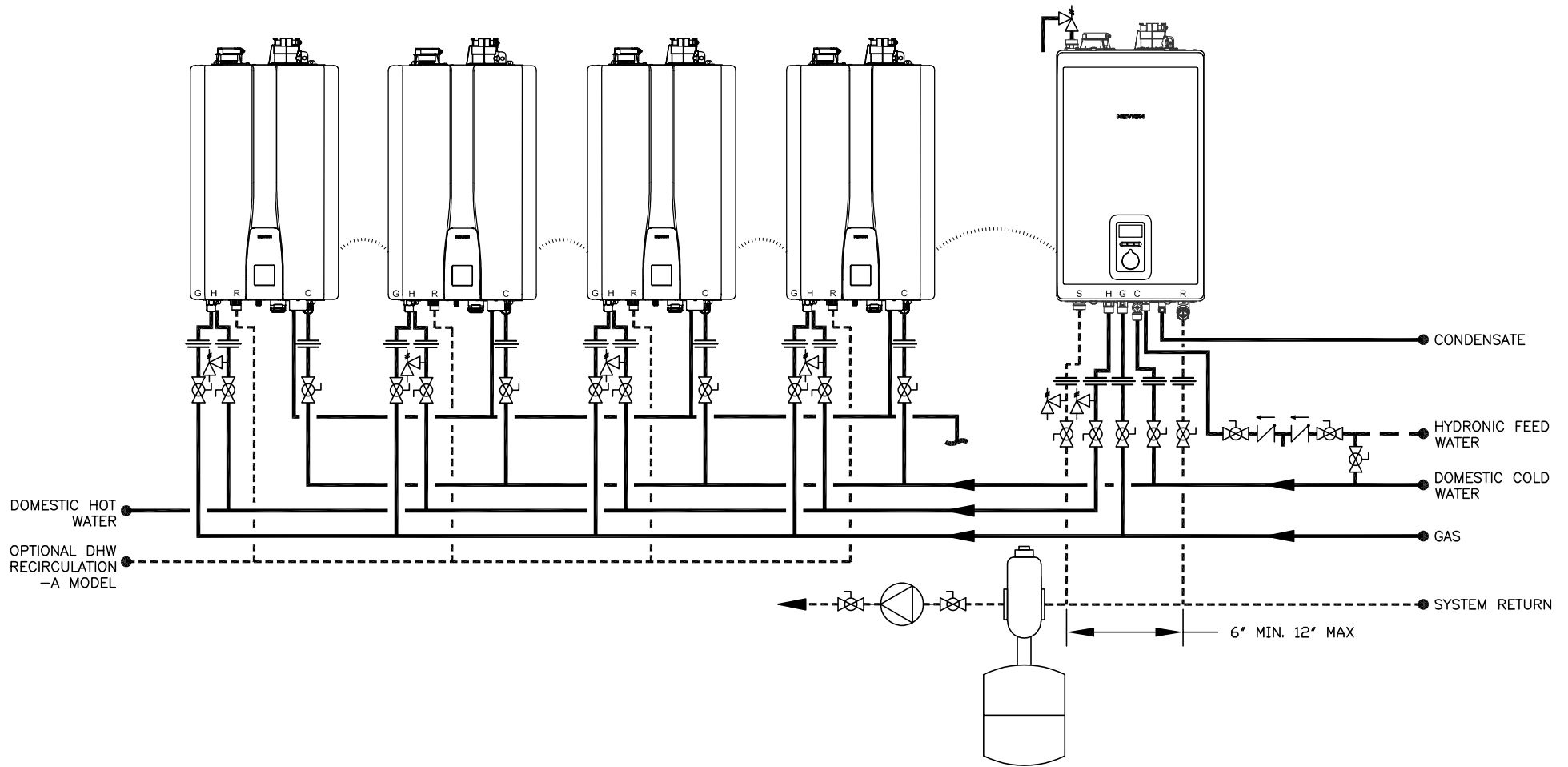


THIS DRAWING IS INTENDED ONLY AS A GUIDE AND NOT AS A REPLACEMENT FOR PROFESSIONALLY ENGINEERED PROJECT DRAWINGS. THIS CONCEPT SYSTEM DRAWING DOES NOT IMPLY COMPLIANCE WITH LOCAL BUILDING CODES. ACTUAL INSTALLATION MAY VARY DEPENDING ON INSTALLATION LOCATION AND PARAMETERS AND IT MUST BE DONE IN ACCORDANCE TO ALL LOCAL BUILDING CODES. VERIFY WITH LOCAL BUILDINGS OFFICIALS BEFORE COMMENCEMENT OF SYSTEM INSTALLATION. CHANGES OR MODIFICATIONS TO PIPING OR DESIGN IS NOT TO BE PERFORMED WITHOUT EXPRESSED WRITTEN PERMISSION BY NAVIEN, INC.



20 GOODYEAR
IRVINE, CA 92618
800-519-8794
www.navienc.com

NCB-H SERIES COMBI-BOILER & NPE (A2/S2) SERIES TANKLESS

(1) NCB-H COMBI-BOILER
WITH (4) NPE-A2 OR S2 TANKLESS WATER HEATERS
INCLUDES MODELS NCB-190/060H, 190/080H, 240/110H, 240/130H, 250/150H

DRAWN BY: S. STOEKE

NCB-H-1-NPE-A2-S2-4

FEBRUARY 7, 2022

SYMBOL LEGEND

	BACKFLOW PREVENTER		CHECK VALVE		FULL-PORT VALVE		EXPANSION TANK
	CONTROL WIRING		PRESSURE RELIEF VALVE		CIRCULATOR		UNION
	CASCADE CABLE		AIR ELIMINATION				