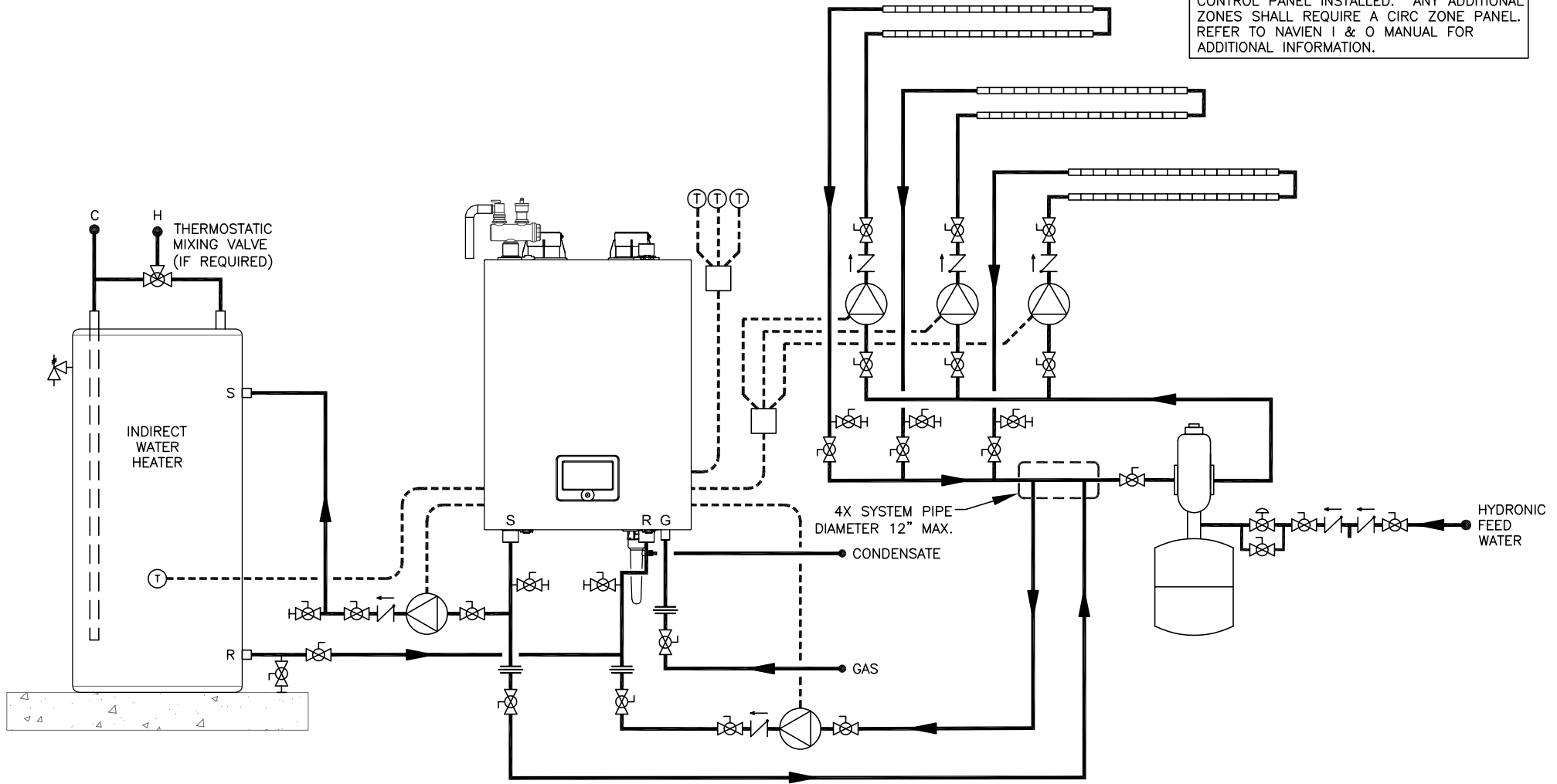


THIS DRAWING IS INTENDED ONLY AS A GUIDE AND NOT AS A REPLACEMENT FOR PROFESSIONALLY ENGINEERED PROJECT DRAWINGS. THIS CONCEPT SYSTEM DRAWING DOES NOT IMPLY COMPLIANCE WITH LOCAL BUILDING CODES. ACTUAL INSTALLATION MAY VARY DEPENDING ON INSTALLATION LOCATION AND PARAMETERS AND IT MUST BE DONE IN ACCORDANCE TO ALL LOCAL BUILDING CODES. VERIFY WITH LOCAL BUILDINGS OFFICIALS BEFORE COMMENCEMENT OF SYSTEM INSTALLATION. CHANGES OR MODIFICATIONS TO PIPING OR DESIGN IS NOT TO BE PERFORMED WITHOUT EXPRESSED WRITTEN PERMISSION BY NAVIEN, INC.

RECOMMENDED SYSTEM & HEADER PIPE SIZES – TOTAL BTU (>4 FT/SEC.)

- 1-1/2" – UP TO 301,000 BTU'S (1 BOILER)
- 2" – 399,000 BTU'S (1 BOILER)
- 2-1/2" – 601,000 TO 798,000 BTU'S (2 BOILERS)
- 3" – 903,000 TO 1,197,000 BTU'S (3 BOILERS)
- 4" – 1,204,000 TO 3,192,000 BTU'S (4 TO 8 BOILERS)

NFB-C UNIT CAN INTERNALLY CONTROL UP TO 3 ZONE CIRCULATORS, WITHOUT A ZONE CONTROL PANEL INSTALLED. ANY ADDITIONAL ZONES SHALL REQUIRE A CIRC ZONE PANEL. REFER TO NAVIEN I & O MANUAL FOR ADDITIONAL INFORMATION.



20 GOODYEAR
IRVINE, CA 92618
800-519-8794
www.navienc.com

NFB-C SERIES BOILER

(1) NFB-C CONDENSING BOILER WITH MULTIPLE ZONE CIRCULATORS
AND INDIRECT WATER HEATER
INCLUDES MODELS NFB-301C, 399C

DRAWN BY:

S. STOECHE

NFB-C-1-ZC-3-IDWH

OCTOBER 11, 2021

SYMBOL LEGEND

BACKFLOW PREVENTER	CHECK VALVE	FULL-PORT VALVE	EXPANSION TANK
CONTROL WIRING	PRESSURE RELIEF VALVE	CIRCULATOR	THERMOSTAT
CONDENSATE TRAP	AIR ELIMINATION	UNION	BALL DRAIN VALVE
COPPER BASEBOARD FIN TUBE	AUTOMATIC AIR VENT	MIXING VALVE	PRESSURE REDUCING VALVE
BOILER RELIEF VALVE			