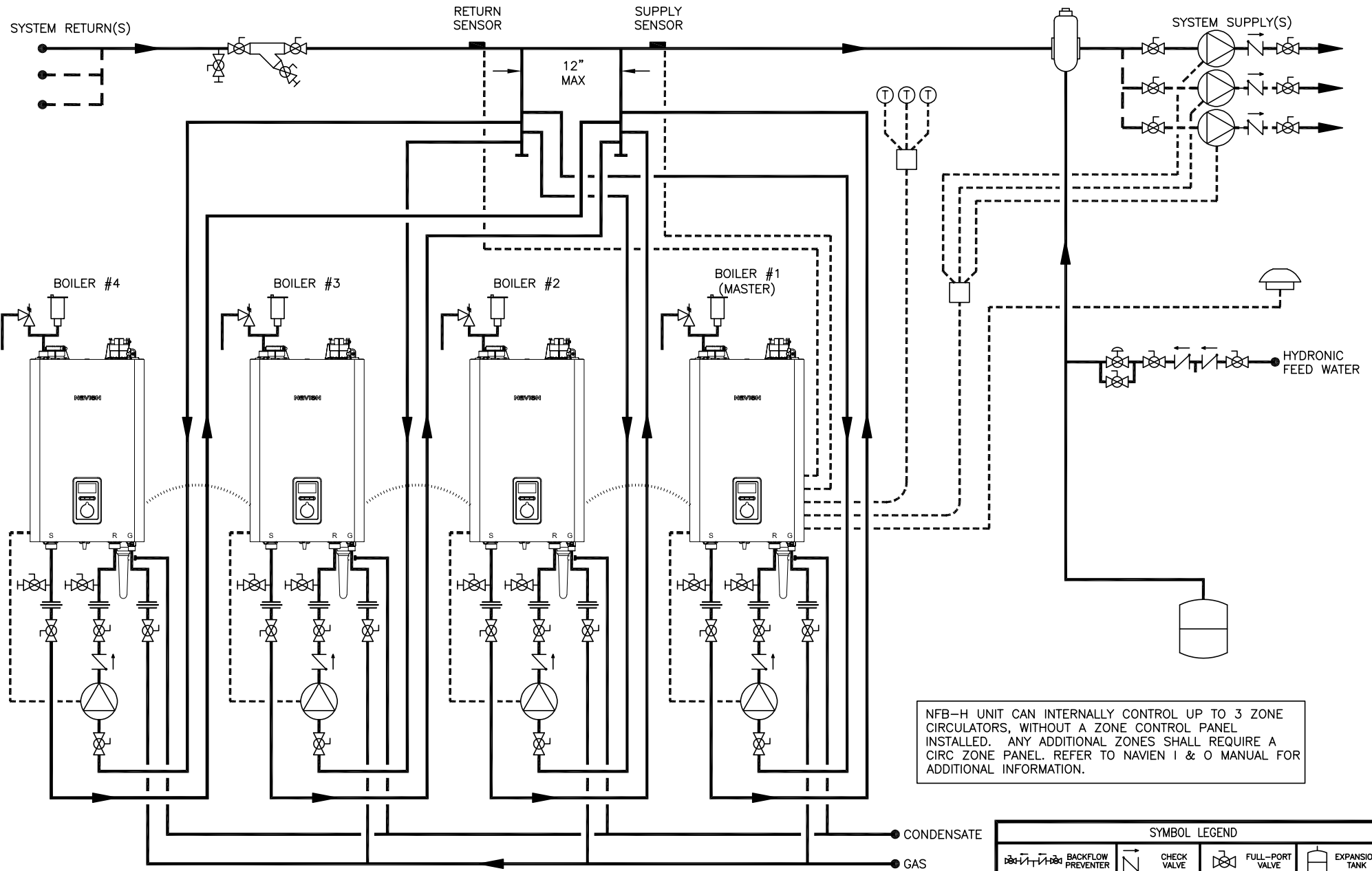


THIS DRAWING IS INTENDED ONLY AS A GUIDE AND NOT AS A REPLACEMENT FOR PROFESSIONALLY ENGINEERED PROJECT DRAWINGS. THIS CONCEPT SYSTEM DRAWING DOES NOT IMPLY COMPLIANCE WITH LOCAL BUILDING CODES. ACTUAL INSTALLATION MAY VARY DEPENDING ON INSTALLATION LOCATION AND PARAMETERS AND IT MUST BE DONE IN ACCORDANCE TO ALL LOCAL BUILDING CODES. VERIFY WITH LOCAL BUILDINGS OFFICIALS BEFORE COMMENCEMENT OF SYSTEM INSTALLATION. CHANGES OR MODIFICATIONS TO PIPING OR DESIGN IS NOT TO BE PERFORMED WITHOUT EXPRESSED WRITTEN PERMISSION BY NAVIEN, INC.



SYMBOL LEGEND			
	BACKFLOW PREVENTER		CHECK VALVE
	FULL-PORT VALVE		EXPANSION TANK
	CONTROL WIRING		CIRCULATOR
	THERMOSTAT		BALL DRAIN VALVE
	CONDENSATE TRAP		AIR ELIMINATION
	OUTDOOR TEMPERATURE SENSOR		UNION
	WYE STRAINER W/ BLOWDOWN		CASCADE CABLE
	PRESSURE RELIEF VALVE		PRESSURE REDUCING VALVE



20 GOODYEAR
IRVINE, CA 92618
800-519-8794
www.navienc.com

NFB-H SERIES BOILER

(4) NFB-H BOILERS WITH
INDIVIDUAL SECONDARY INJECTION PIPING
INCLUDES MODELS NFB-175H, 200H

DRAWN BY: S. STOEKE

NFB-H-4-ZC-MULT-I

SEPTEMBER 20, 2021