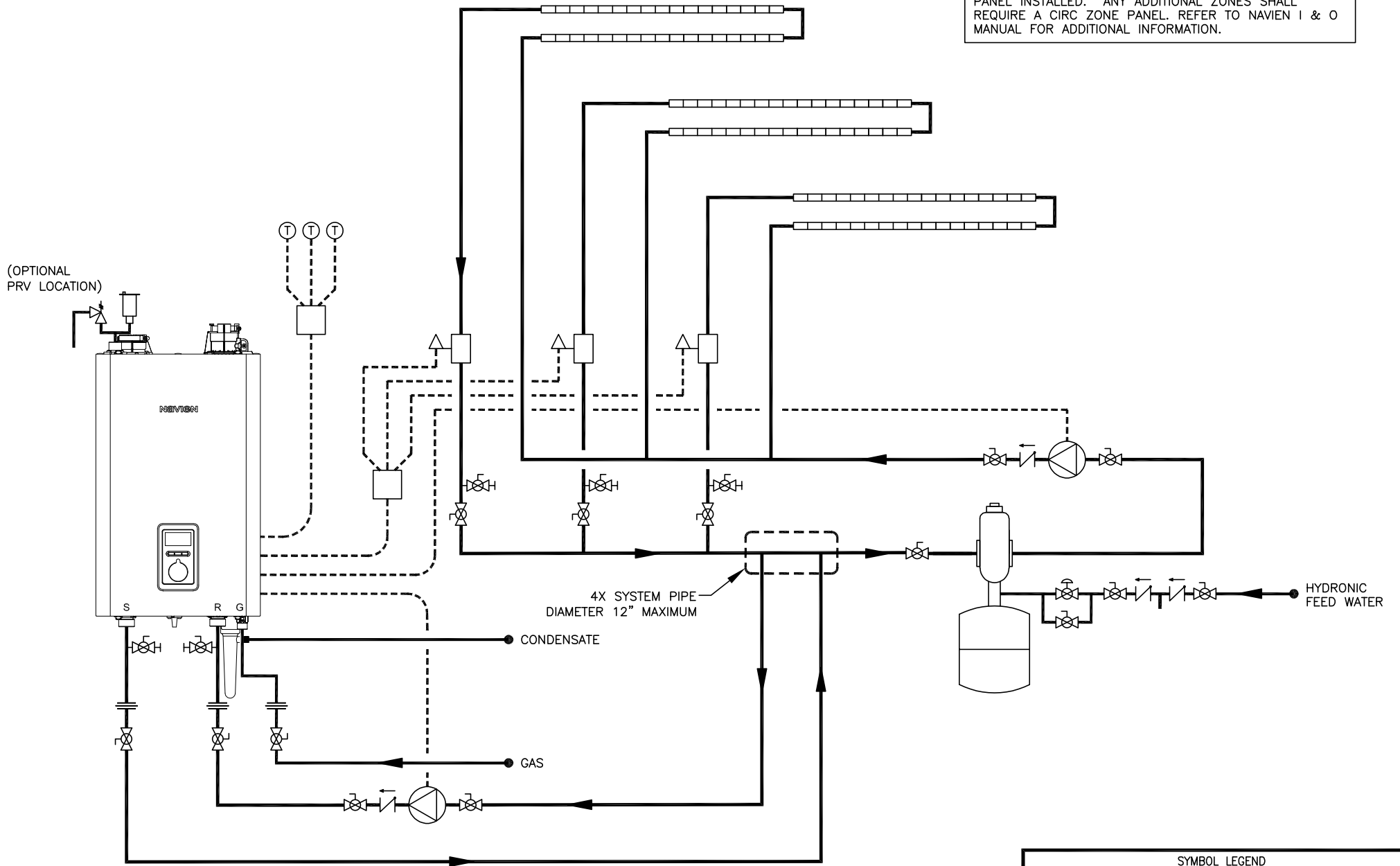


THIS DRAWING IS INTENDED ONLY AS A GUIDE AND NOT AS A REPLACEMENT FOR PROFESSIONALLY ENGINEERED PROJECT DRAWINGS. THIS CONCEPT SYSTEM DRAWING DOES NOT IMPLY COMPLIANCE WITH LOCAL BUILDING CODES. ACTUAL INSTALLATION MAY VARY DEPENDING ON INSTALLATION LOCATION AND PARAMETERS AND IT MUST BE DONE IN ACCORDANCE TO ALL LOCAL BUILDING CODES. VERIFY WITH LOCAL BUILDINGS OFFICIALS BEFORE COMMENCEMENT OF SYSTEM INSTALLATION. CHANGES OR MODIFICATIONS TO PIPING OR DESIGN IS NOT TO BE PERFORMED WITHOUT EXPRESSED WRITTEN PERMISSION BY NAVIEN, INC.

NFB-H UNIT CAN INTERNALLY CONTROL UP TO 3 ZONE CIRCULATORS/ZONE VALVES, WITHOUT A ZONE CONTROL PANEL INSTALLED. ANY ADDITIONAL ZONES SHALL REQUIRE A CIRC ZONE PANEL. REFER TO NAVIEN I & O MANUAL FOR ADDITIONAL INFORMATION.



Navien
 20 GOODYEAR
 IRVINE, CA 92618
 800-519-8794
 www.navienc.com

NFB-H SERIES BOILER

(1) NFB-H BOILER WITH MULTIPLE ZONE VALVES
 INCLUDES MODELS NFB-175H, 200H

DRAWN BY: S. STOEKE

NFB-H-1-ZV-3

JULY 21, 2021

SYMBOL LEGEND			
	BACKFLOW PREVENTER		CHECK VALVE
	CONTROL WIRING		PRESSURE RELIEF VALVE
	CONDENSATE TRAP		AIR ELIMINATION
	COPPER BASEBOARD FIN TUBE		AUTOMATIC AIR VENT
	FULL-PORT VALVE		EXPANSION TANK
	CIRCULATOR		THERMOSTAT
	UNION		BALL DRAIN VALVE
	ZONE VALVE		PRESSURE REDUCING VALVE