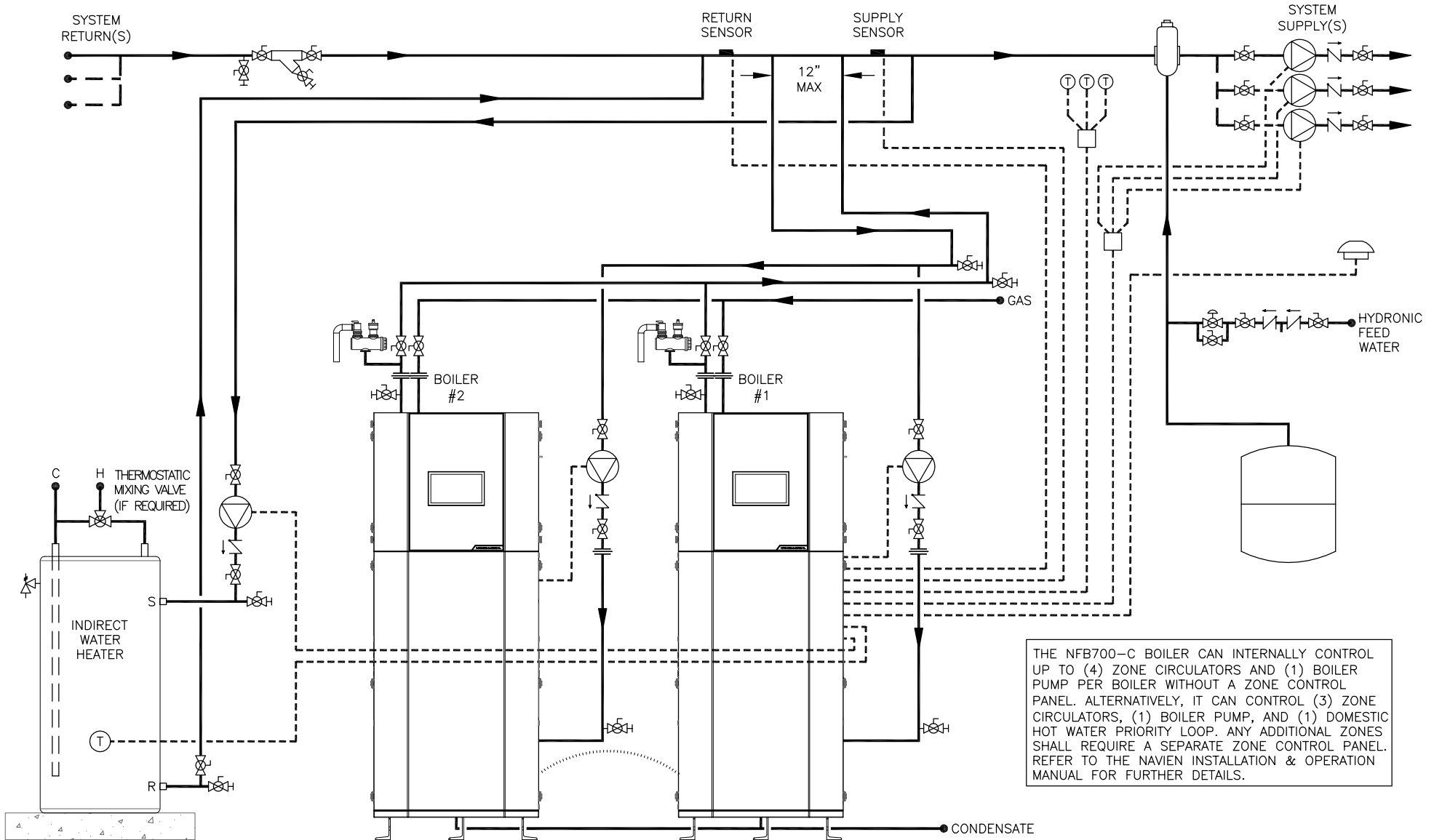


THIS DRAWING IS INTENDED ONLY AS A GUIDE AND NOT AS A REPLACEMENT FOR PROFESSIONALLY ENGINEERED PROJECT DRAWINGS. THIS CONCEPT SYSTEM DRAWING DOES NOT IMPLY COMPLIANCE WITH LOCAL BUILDING CODES. ACTUAL INSTALLATION MAY VARY DEPENDING ON INSTALLATION LOCATION AND PARAMETERS AND IT MUST BE DONE IN ACCORDANCE TO ALL LOCAL BUILDING CODES. VERIFY WITH LOCAL BUILDINGS OFFICIALS BEFORE COMMENCEMENT OF SYSTEM INSTALLATION. CHANGES OR MODIFICATIONS TO PIPING OR DESIGN IS NOT TO BE PERFORMED WITHOUT EXPRESSED WRITTEN PERMISSION BY NAVIEN, INC.



THE NFB700-C BOILER CAN INTERNALLY CONTROL UP TO (4) ZONE CIRCULATORS AND (1) BOILER PUMP PER BOILER WITHOUT A ZONE CONTROL PANEL. ALTERNATIVELY, IT CAN CONTROL (3) ZONE CIRCULATORS, (1) BOILER PUMP, AND (1) DOMESTIC HOT WATER PRIORITY LOOP. ANY ADDITIONAL ZONES SHALL REQUIRE A SEPARATE ZONE CONTROL PANEL. REFER TO THE NAVIEN INSTALLATION & OPERATION MANUAL FOR FURTHER DETAILS.

SYMBOL LEGEND			
	BACKFLOW PREVENTER		CHECK VALVE
	FULL-PORT VALVE		EXPANSION TANK
	CONTROL WIRING		PRESSURE RELIEF VALVE
	CIRCULATOR		THERMOSTAT
	CONDENSATE TRAP		AIR ELIMINATION
	OUTDOOR TEMPERATURE SENSOR		CASCADE CABLE
	BALL DRAIN VALVE		BOILER RELIEF VALVE
	PRESSURE REDUCING VALVE		MIXING VALVE
	WYE STRAINER W/ BLOWDOWN		UNION



20 GOODYEAR
IRVINE, CA 92618
800-519-8794
www.navienc.com

NFB700-C SERIES BOILER

(2) NFB700-C CONDENSING BOILERS WITH INDIRECT WATER HEATER
COMMON SECONDARY INJECTION PIPING
INCLUDES MODELS NFB700-500C, 600C, 800C, 1000C

DRAWN BY:

S. STOKE

NFB700-C-2-ZP-MULT-IDWH-C

APRIL 27, 2026