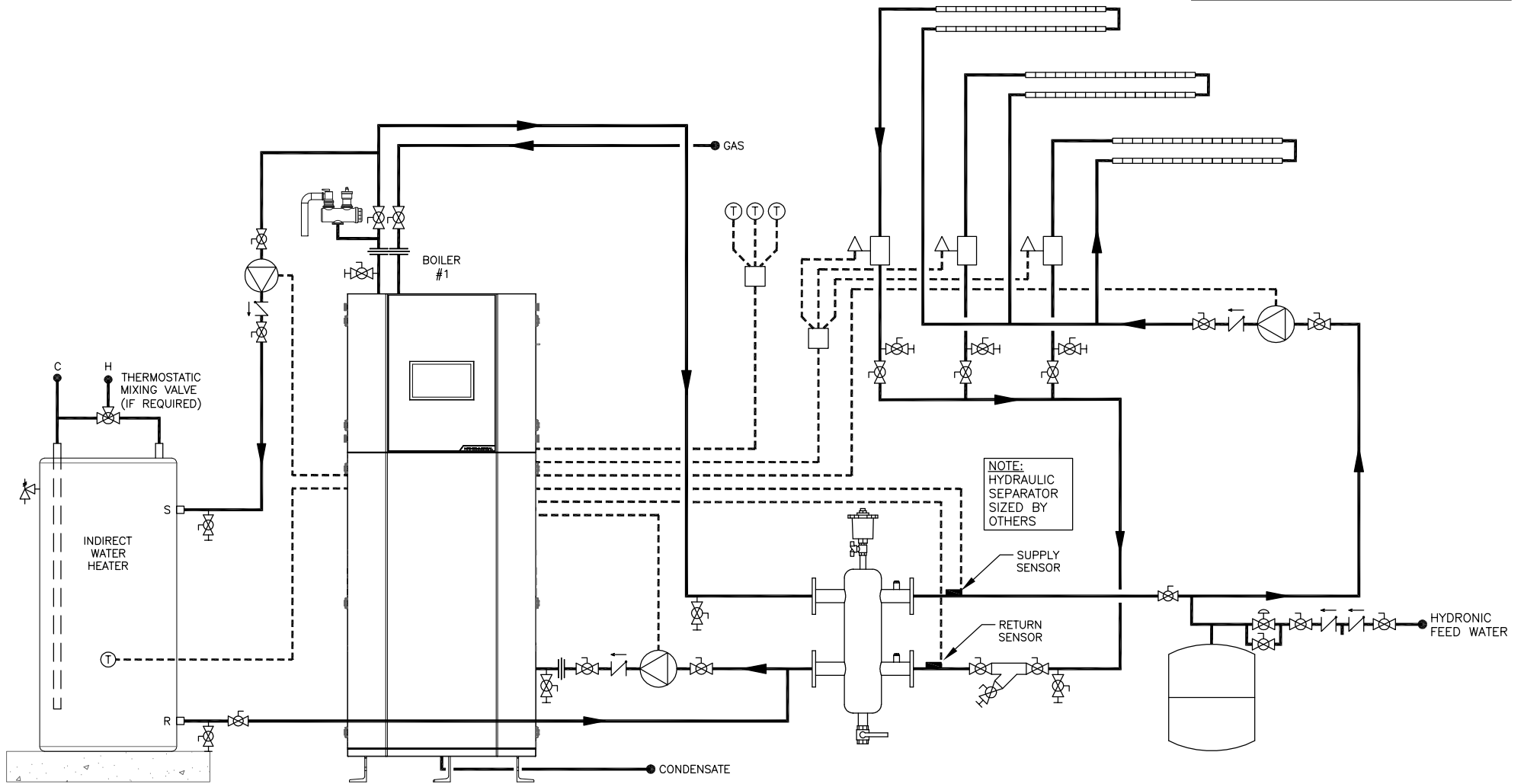


THIS DRAWING IS INTENDED ONLY AS A GUIDE AND NOT AS A REPLACEMENT FOR PROFESSIONALLY ENGINEERED PROJECT DRAWINGS. THIS CONCEPT SYSTEM DRAWING DOES NOT IMPLY COMPLIANCE WITH LOCAL BUILDING CODES. ACTUAL INSTALLATION MAY VARY DEPENDING ON INSTALLATION LOCATION AND PARAMETERS AND IT MUST BE DONE IN ACCORDANCE TO ALL LOCAL BUILDING CODES. VERIFY WITH LOCAL BUILDINGS OFFICIALS BEFORE COMMENCEMENT OF SYSTEM INSTALLATION. CHANGES OR MODIFICATIONS TO PIPING OR DESIGN IS NOT TO BE PERFORMED WITHOUT EXPRESSED WRITTEN PERMISSION BY NAVIEN, INC.

THE NFB700-C BOILER CAN INTERNALLY CONTROL UP TO (4) ZONE CIRCULATORS/ZONE VALVES AND (1) BOILER PUMP PER BOILER WITHOUT A ZONE CONTROL PANEL. ALTERNATIVELY, IT CAN CONTROL (3) ZONE CIRCULATORS, (1) BOILER PUMP, AND (1) DOMESTIC HOT WATER PRIORITY LOOP. ANY ADDITIONAL ZONES SHALL REQUIRE A SEPARATE ZONE CONTROL PANEL. REFER TO THE NAVIEN INSTALLATION & OPERATION MANUAL FOR FURTHER DETAILS.



SYMBOL LEGEND			
	BACKFLOW PREVENTER		CHECK VALVE
	FULL-PORT VALVE		EXPANSION TANK
	CONTROL WIRING		PRESSURE RELIEF VALVE
	CIRCULATOR		THERMOSTAT
	CONDENSATE TRAP		AIR ELIMINATION
	COPPER BASEBOARD FIN TUBE		UNION
	BOILER RELIEF VALVE		MIXING VALVE
	HYDRAULIC SEPARATOR		ZONE VALVE
	BALL DRAIN VALVE		PRESSURE REDUCING VALVE



20 GOODYEAR
IRVINE, CA 92618
800-519-8794
www.navienc.com

NFB700-C SERIES BOILER

(1) NFB700-C CONDENSING BOILER WITH MULTIPLE ZONE VALVES AND INDIRECT WATER HEATER WITH HYDRAULIC SEPARATOR INCLUDES NFB700-500C, 600C, 800C, 1000C

DRAWN BY:

S. STOKE

NFB700-C-1-32V-IDWH-HS

APRIL 27, 2026