



QuickFacts

NPF Downflow Series



Condensing Hydro-furnace

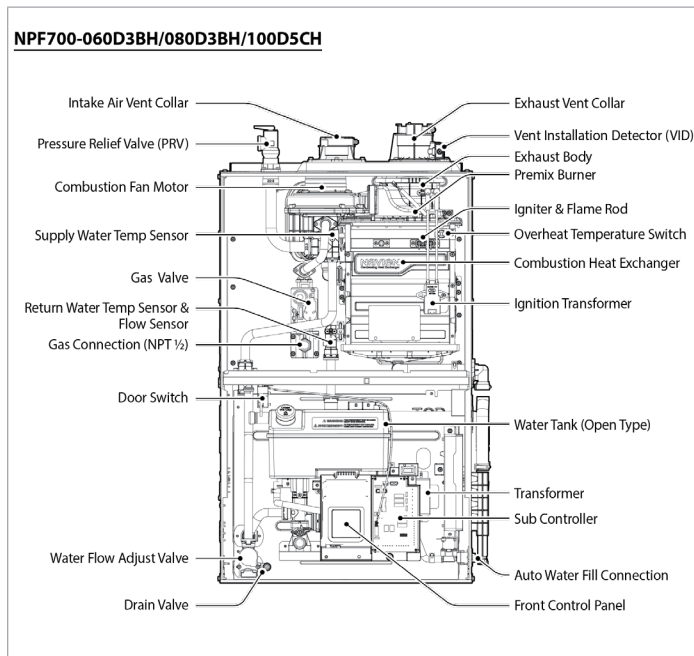
Heating Capacity and Efficiency

Items		NPF700-060D3BH	NPF700-080D3BH	NPF700-100D5CH
Heating (gas input) natural/propane gas (BTU/h)	Max heat	60,000	80,000	100,000
	Min heat	9,000	11,000	14,000
AFUE (%)		97	97	97
AHRI number		213301707	216051339	213301708
Certified temperature rise range °F (°C)	Max heat	45-75 (25-42)		
	Min heat	5-35 (3-19)	10-40 (6-22)	10-40 (6-22)
Burner control		Modulating		

Airflow Capacity and Blower Data

Items		NPF700-060D3BH	NPF700-080D3BH	NPF700-100D5CH
External static pressure	Heating	0.1" to 0.8" WC		
	Cooling			
Airflow delivery range [CFM] (Rated ESP)	Max heat	720-1,200	950-1,200	1,200-2,000
	Min heat	450-1,200	450-1,200	500-2,000
	Cooling	1,200	1,200	2,000
Nominal cooling capacity (TON)	@400CFM	1.5-3.0	1.5-3.0	2.0-5.0
	@350CFM	1.5-3.5	1.5-3.5	2.0-5.5
Circulator blower	DxW	12" x 10"	12" x 10"	12" x 12"
	Horsepower	1/2	1/2	1
	Motor full load amps	7.6	7.6	11.0
	Motor speed & type	Variable, Electronically Commutated Motor (ECM)		

Components



Specifications

Items		NPF700-060D3BH	NPF700-080D3BH	NPF700-100D5CH
Applications		Residential, light commercial, mobile home, manufactured home, modular home		
Installation type		Downflow		
Venting type		Forced draft direct vent or non-direct vent		
Maximum vent length	2"	70 ft.		
	3"	140 ft.		
Ignition		Electronic ignition		
Natural gas supply pressure (from source)		3.5" to 10.5" WC		
Propane gas supply pressure (from source)		8.0" to 13.0" WC		
Natural gas manifold pressure		-0.01" to -0.02" WC		
Propane gas manifold pressure		-0.01" to -0.02" WC		
Gas connection size		1/2" NPT		
Water connection size		1/4" NPT		
Condensate size		3/4" NPT		
Materials	Casing	Corrosion resistant baked on pre-painted steel		
	Combustion heat exchanger	Stainless steel		
	Hydronic heat exchanger	Copper & aluminum		
Venting	Exhaust	2" or 3" PVC, CPVC, approved PP 2" or 3" special gas vent type BH (Class III, A/B/C) 2" or 3" SS		
	Intake	2" or 3" PVC, CPVC, PP 2" or 3" special gas vent type BH (Class III, A/B/C) 2" or 3" SS		
	Vent clearance	0" to combustibles		
Safety devices		Flame rod, ignition operation detector, water temperature high limit switch, high limit sensor for exhaust temperature, Vent Installation Detector (VID), water level sensor, burner high limit sensor, Pressure Relief Valve (PRV), leak sensor		
Dimensions in (mm), WxDxH		17.5 x 31 x 34.5 (445 x 787 x 876)	17.5 x 31 x 34.5 (445 x 787 x 876)	21 x 31 x 34.5 (533 x 787 x 876)
Shipping weight lb (Kg)		145.0 (65.8)	145.0 (65.8)	167.6 (76.0)
Power supply		120V AC, 60 Hz		
Max current (A)		10.9	10.9	14.3
Circuit breaker amps (A)		15	15	20
Wire size (AWG)		14	14	12

Navien reserves the right to change specifications at any time without prior notice. Please refer to www.navieninc.com to verify you have the most current information.

Warranty

	Registered Furnaces	Non-Registered Furnaces
Combustion Heat exchanger	Lifetime*	20 Years**
Parts	10 Years*	5 Years**
Labor	1 Year*	1 Year**

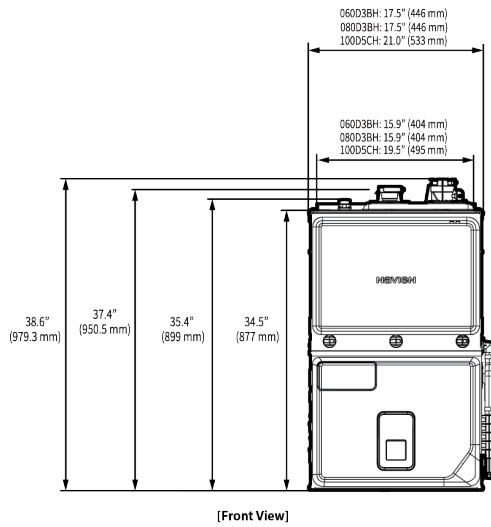
*Limited warranties to original owner in residential applications with prompt registration.

**20-years heat exchanger, 5-year parts, and 1-year labor for non-registered furnaces.

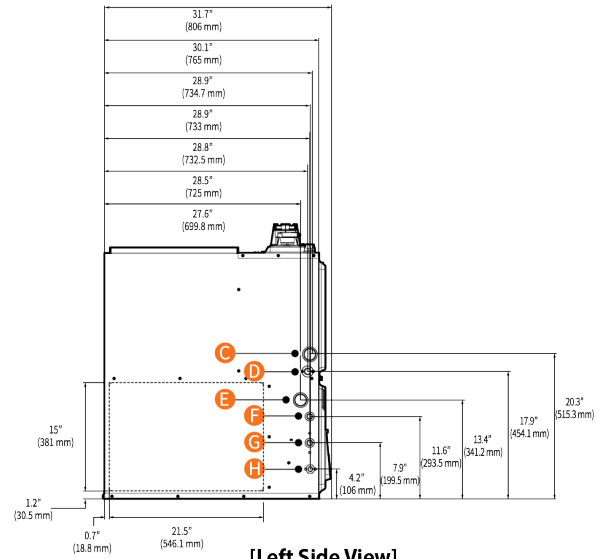
See warranty card for complete details and restrictions.

Dimensions

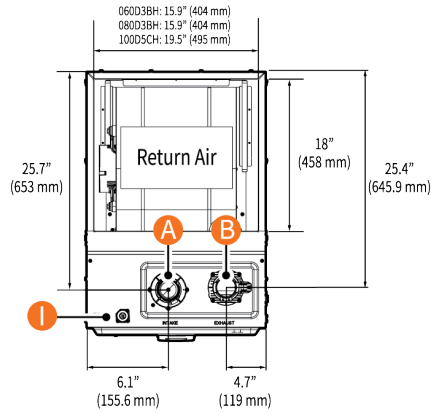
NPF700-060D3BH/080D3BH/100D5CH



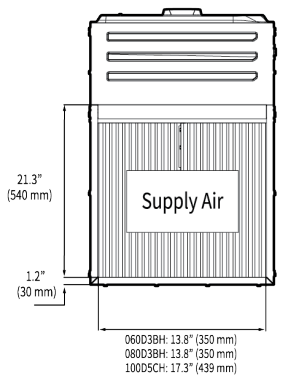
[Front View]



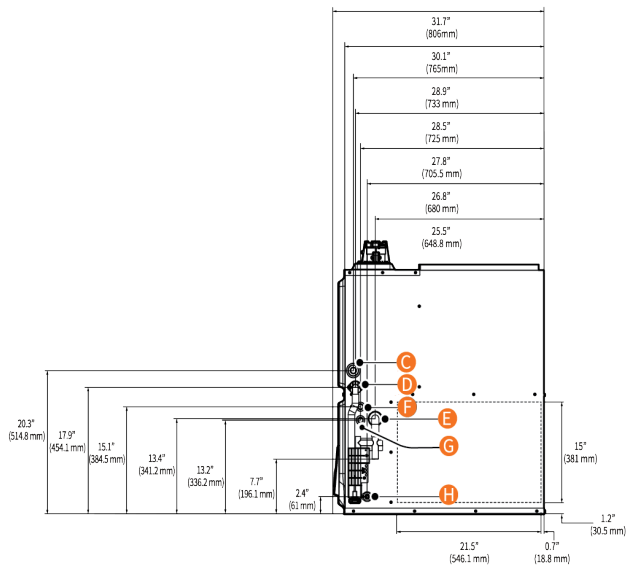
[Left Side View]



[Top View - Downflow]



[Bottom View - Downflow]



[Right Side View]

Connections Size

- A Air intake 2 in
- B Exhaust gas vent 2 in
- C Gas connection 1.8 in (NPT 1/2")
- D Condensate drain NPT 3/4"
- E Overflow connection 1.8 in (Ø44.5 mm)
- F Low voltage electrical connection 0.9 in (Ø22.2 mm)
- G Line voltage electrical connection 0.9 in (Ø22.2 mm)
- H Water supply connection NPT 1/4"
- I Pressure relief valve connection NPT 3/4"



We are @Navieninc everywhere



Navien Inc. Navieninc.com 800-519-8794
20 Goodyear, Irvine, CA 92618

Navien Canada, Inc. Navieninc.ca 800-519-8794
555 Hanlan Rd., Unit 7, Vaughan, ON L4L 4R8

